

FORM F 108
Revision: 05
Page: 1/1

Product specification
for inductive components

MAGNETEC GmbH
Industriestrasse 7
D-63505 Langenselbold

Client:	MAGNETEC	Magnetec P/N:	M-017	Magnetec A/N:	12013
Client's P/N:	/	PS Index:	04	PS Revision:	07
Subject:	EMC Wandler				

1. Mechanical Outline

Nominal equivalent round core:

16 x 10 x 6

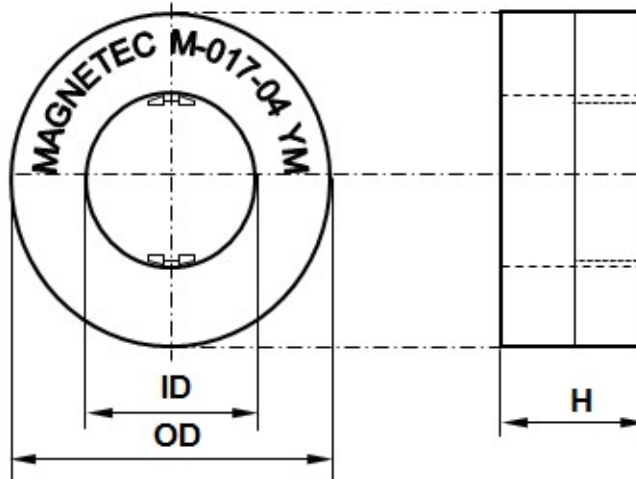
Finished product dimensions:

OD \leq 18,0

ID \geq 8,0

H \leq 8,0

[dimensions] = mm



2. Core data (nominal values)

Core material:	NANOPERM®	$L_{Fe} = 4,04 \text{ cm}$	$A_{Fe} = 0,13 \text{ cm}^2$
Permeability level:	~ 100 000	@ frequency 10 kHz	@ H peak 3,49 mA/cm

3. Inspection values (at room temperature, unless otherwise stated)

Measured value	Measurement limits	Frequency	leff x N [mA x turn]
AL [μ H]	30 - 60	10 kHz	10
AL [μ H]	6,3 - NA	100 kHz	10

4. Core finishing

Type:	Cased
Marking:	MAGNETEC M-017-04 YM (YM = Year/Month), acc. to IEC 60062 6.1.1
Packaging:	110 pcs. per layer; 9 layers per carton box; PU = 990 pcs.

5. Comments

Visit http://www.magnetec.de/fileadmin/pdf/pb_ds.pdf for further information.

Index / Revision	Alteration	Date
02 / 00	Product Specification	07.02.2000
03 / 01	Bare core size 16x10,2x6mm	21.06.2001
03 / 02	PU = 344 pcs.; Inspection values	22.01.2004
03 / 03	PU = 990 pcs.	26.10.2004
03 / 04	New form	21.09.2005
04 / 05	New case MT-063.01-01 & MT-063.01-02	25.10.2007
04 / 06	100kHz lower limit defined	06.11.2014
04 / 07	Harmonization of part and finished product dimensions	14.02.2020

Created:	Z. Braxátor	Approved (Techn):	F. Záborszky	Approved (Quality):	G. Zsák	Released:	B. Kessler
	14.02.2020		14.02.2020		14.02.2020		14.02.2020

Disclosing the specification to third parties or using its content without written permission from MAGNETEC is strictly forbidden and every offender is liable to pay the corresponding damages