



Client:	MAGNETEC	Magnetec P/N:	M-053	Magnetec A/N:	12087
Client's P/N:	/	PS Index:	06	PS Revision:	04
Subject:	EMC Wandler			Type:	

1. Mechanical Outline

Nominal core dimensions:

25 x 20 x 10

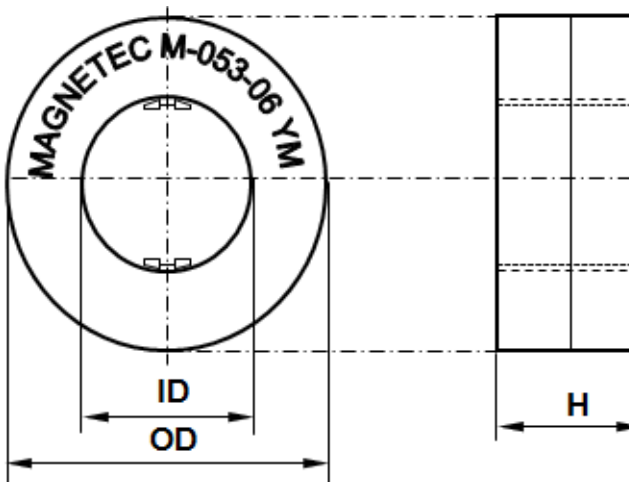
Finished product dimensions:

OD ≤ 27,6

ID ≥ 17,8

H ≤ 12,5

[dimensions] = mm



2. Core data (nominal values)

Core material:	NANOPERM®	$L_{Fe} = 7,1 \text{ cm}$	$A_{Fe} = 0,20 \text{ cm}^2$
Permeability level:	ca. 90.000	@ frequency 10 kHz	@ H peak 3,00 mA/cm

3. Inspection values

	Measured value	Measurement limits	Frequency	$l_{eff} \times N$ [mA x turn]
AL [μH]		22,5 - 41,3	10 kHz	15
AL [μH]		5,6 - NA	100 kHz	15

4. Core finishing

Type:	Cased
Marking:	MAGNETEC M-053-06 YM (YM = Year/Month), acc. to IEC 60062 6.1.1
Packaging:	63 pcs. per layer; 6 layers per carton box ; PU = 378 pcs.

5. Comments:



Index / Revision	Alteration	Date
04 / 00	Production specification	15.03.2001
05 / 01	AL = 22.5 - 45.0 μH	27.07.2006
06 / 02	AL = 22.5 - 41.3 μH	28.09.2006
06 / 03	100kHz lower limit defined	07.11.2014
06 / 04	Separator holder missed from the drawing	20.03.2015

Created:	Z. Palánki	Approved (Techn):	F. Záborszky	Approved (Quality):	J. Gulyás	Released:	T. Trupp
	20.03.2015		31.03.2015		31.03.2015		31.03.2015