

FORM
Identifier: F 108
Revision: 04
Page: 1/1

Product specification
for inductive components

MAGNETEC GmbH
Industriestrasse 7
D-63505 Langenselbold



Client:	MAGNETEC	Magnetec P/N:	M-091	Magnetec A/N:	12208
Client's P/N:	-	PS Index:	01	PS Revision:	00
Subject:	EMC Wandler			Type:	E

1. Mechanical Outline

Nominal core dimensions:

30 x 17 x 8

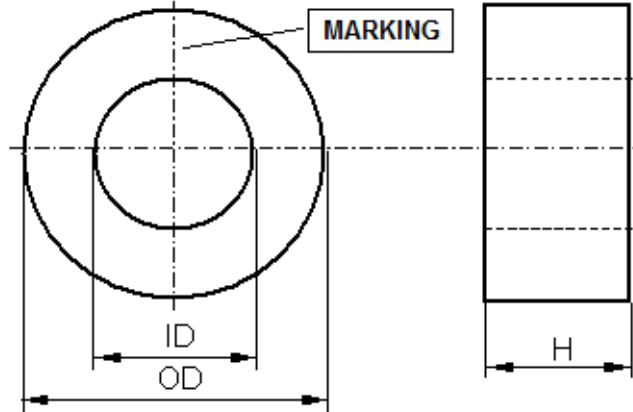
Finished product dimensions:

OD ≤ 31,6

ID ≥ 15,7

H ≤ 10,3

[dimensions] = mm



2. Core data

Core material:	NANOPERM®	$L_{Fe} = 7,19 \text{ cm}$	$A_{Fe} = 0,42 \text{ cm}^2$
Nominal values:	Permeability level	@ frequency	@ H peak
	30.000	10 kHz	3,0 mA/cm

3. Inspection values

	Measured value	Measurement limits	Frequency	$l_{eff} \times N$ [mA x turn]
AL1	[μH]	15,3 - 30,5	10 kHz	15,0

4. Core finishing

Type:	Epoxy coated
Marking:	MAGNETEC M-091-01 YM (YM = Year/Month), acc. to IEC 62 5.1
Packaging:	36 pcs. per layer; 5 layers per carton box; PU = 180 pcs.

5. Comments:



Index / Revision	Alteration	Date
01 / 00	Product Specification	16.09.2003

Created:	Á. Kovách	Approved (Techn):	F. Zámorszky	Approved (Quality):	V. Káposztás	Released:	F. Rauscher
	16.09.2003		18.10.2003		20.10.2003		04.11.2003