

FORM F 108
Revision: 05
Page: 1/1

Product specification
for inductive components

MAGNETEC GmbH
Industriestrasse 7
D-63505 Langenselbold

Client:	MAGNETEC	Magnetec P/N:	M-1044	Magnetec A/N:	12780
Client's P/N:		PS Index:	01	PS Revision:	01
Subject:	EMC Wandler				

1. Mechanical Outline

Nominal equivalent round core:

45 x 30 x 20

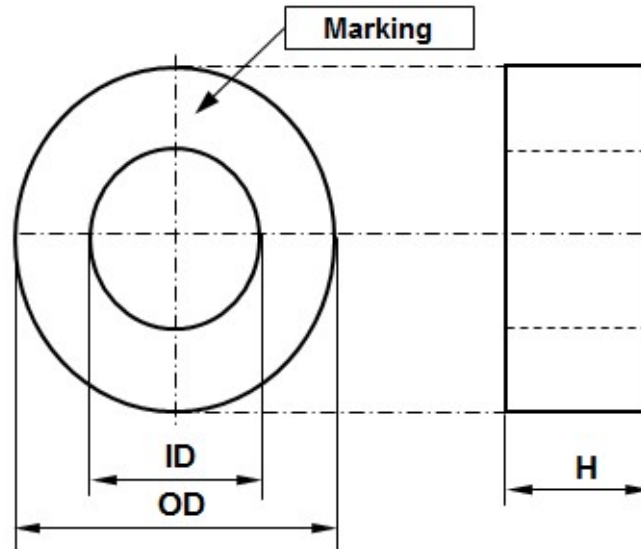
Finished product dimensions:

OD \leq 49,3

ID \geq 25,8

H \leq 24,2

[dimensions] = mm



2. Core data (nominal values)

Core material:	NANOPERM®	$L_{Fe} = 11,6 \text{ cm}$	$A_{Fe} = 1,09 \text{ cm}^2$
Permeability level:	90 000	@ frequency 10 kHz	@ H peak 3 mA/cm

3. Inspection values (at room temperature, unless otherwise stated)

Measured value	Measurement limits	Frequency	$l_{eff} \times N$ [mA x turn]
AL [μ H]	74 148	10 kHz	24,5
AL [μ H]	23,6 - NA	100 kHz	24,5

4. Core finishing

Type:	Epoxy coated and foil bandaged
Marking:	MAGNETEC M- 1044-01 YM (YM = Year/Month), acc. to IEC 60062 6.1.1
Packaging:	15 pcs. per layer; 3 layers per carton box; PU = 45 pcs.

5. Comments

Visit http://www.magnetec.de/fileadmin/pdf/pb_ds.pdf for further information.

Index / Revision	Alteration	Date
01 / 01	First issue	2016.06.23.

Created:	M. Pádár 2016.06.23	Approved (Techn):	F. Zámbořszky	Approved (Quality):	L. Ferencz	Released:	T. Trupp
----------	------------------------	-------------------	---------------	---------------------	------------	-----------	----------

Disclosing the specification to third parties or using its content without written permission from MAGNETEC is strictly forbidden and every offender is liable to pay the corresponding damages