



Client:	MAGNETEC	Magnetec P/N:	M-118	Magnetec A/N:	12114
Client's P/N:		PS Index:	02	PS Revision:	05
Subject:	EMC Wandler			Type:	

1. Mechanical Outline

Nominal core dimensions:

16 x 10,2 x 6

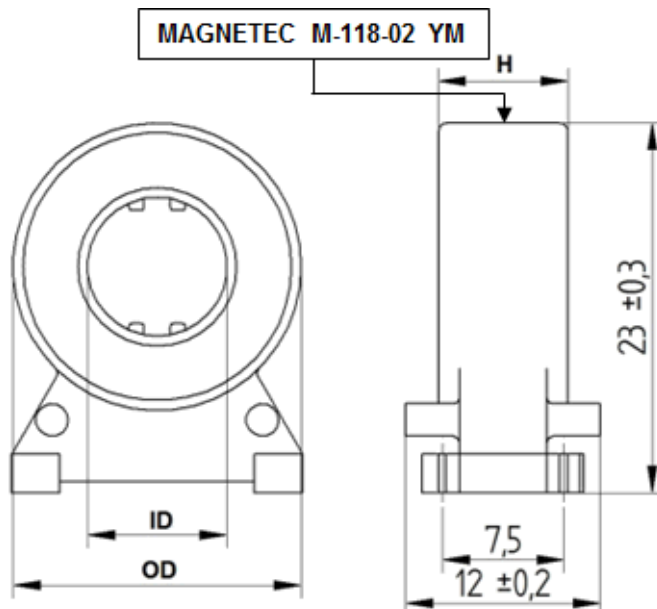
Finished product dimensions:

OD ≤ 18,2

ID ≥ 8,4

H ≤ 8,2

[dimensions] = mm



2. Core data (nominal values)

Core material:	NANOPERM®	$L_{Fe} = 4,05 \text{ cm}$	$A_{Fe} = 0,13 \text{ cm}^2$
Permeability level:	ca. 90.000	@ frequency 10 kHz	@ H peak 3,49 mA/cm

3. Inspection values

	Measured value	Measurement limits	Frequency	leff x N [mA x turn]
AL [μH]		28,4 - 56,9	10 kHz	10
AL [μH]		7,1 - NA	100 kHz	10

4. Core finishing

Type:	Cased
Marking:	MAGNETEC M-118-02 YM (YM = Year/Month), acc. to IEC 60062 6.1.1
Packaging:	60 pcs. per layer; 7 layers per carton box ; PU = 420 pcs.

5. Comments:



Index / Revision	Alteration	Date
01 / 01	Product Specification	13.09.2001
02 / 01	Core di = 10,2 mm	09.10.2003
02 / 02	Da ≤ 18,0 mm, Di ≥ 8,5 mm	21.09.2005
02 / 03	Marking position and dimensions changed	17.10.2012
02 / 04	Packaging change	29.11.2013
02 / 05	100kHz lower limit defined	11.11.2014

Created:	Z. Palánki	Approved (Techn):	F. Záborszky	Approved (Quality):	J. Gulyás	Released:	T. Trupp
	11.11.2014		12.01.2015		12.01.2015		12.01.2015