

FORM F 108
Revision: 05
Page: 1/1

Product specification
for inductive components

MAGNETEC GmbH
Industriestrasse 7
D-63505 Langenselbold

Client:	MAGNETEC	Magnetec P/N:	M-1202	Magnetec A/N:	12840
Client's P/N:	/	PS Index:	01	PS Revision:	02
Subject:	EMC Wandler				

1. Mechanical Outline

Nominal equivalent round core:

20 x 12,5 x 8

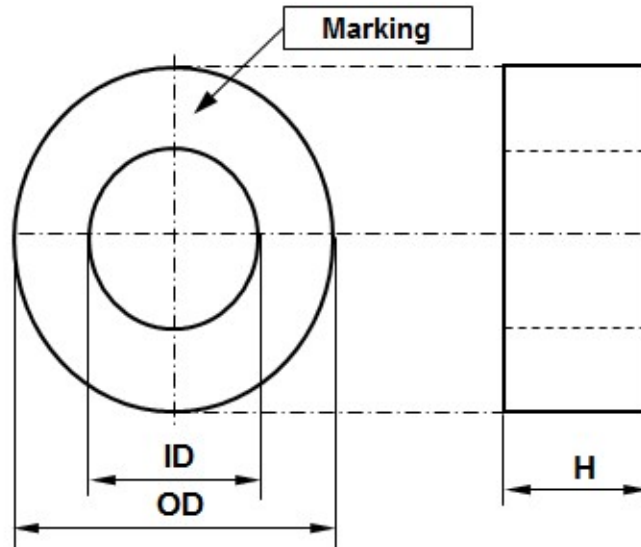
Finished product dimensions:

OD \leq 22,5

ID \geq 10,3

H \leq 10.1

[dimensions] = mm



2. Core data (nominal values)

Core material:	NANOPERM®	$L_{Fe} = 5,01 \text{ cm}$	$A_{Fe} = 0,22 \text{ cm}^2$
Permeability level:	~2000	@ frequency 10 kHz	@ H peak 2,82 mA/cm

3. Inspection values (at room temperature, unless otherwise stated)

Measured value	Measurement limits	Frequency	leff x N [mA x turn]
AL [μ H]	0,78 - 1,55	10 kHz	10
AL [μ H]	0,78 - NA	100 kHz	10

4. Core finishing

Type:	Cased
Marking:	MAGNETEC M-1202-01 YM (YM = Year/Month), acc. to IEC 60062 6.1.1
Packaging:	75 pcs. per layer; 7 layers per carton box; PU = 525 pcs.

5. Comments

Visit http://www.magnetec.de/fileadmin/pdf/pb_ds.pdf for further information.

Index / Revision	Alteration	Date
01 / 01	First issue	04.07.2017
01 / 02	Product height harmonization	22.11.2019

Created:	Z. Braxátor 22.11.2019	Approved (Techn):	F. Záborszky 03.01.2020	Approved (Quality):	Sz. Ilcsik 06.12.2019	Released:	B. Kessler 10.01.2020
----------	---------------------------	-------------------	----------------------------	---------------------	--------------------------	-----------	--------------------------

Disclosing the specification to third parties or using its content without written permission from MAGNETEC is strictly forbidden and every offender is liable to pay the corresponding damages