



Client:	MAGNETEC	Magnetec P/N:	M-123	Magnetec A/N:	12200
Client's P/N:	/	PS Index:	01	PS Revision:	03
Subject:	EMC Wandler			Type:	

1. Mechanical Outline

Nominal core dimensions:

30 x 20 x 10

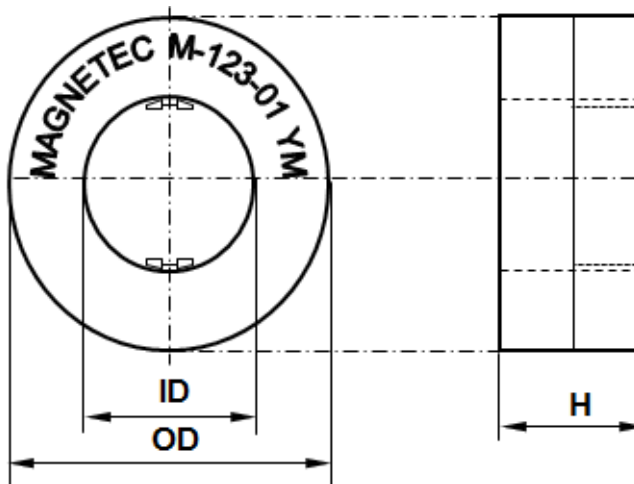
Finished product dimensions:

OD \leq 32,7

ID \geq 17,8

H \leq 12,6

[dimensions] = mm



2. Core data (nominal values)

Core material:	NANOPERM®	$L_{Fe} = 7,75 \text{ cm}$	$A_{Fe} = 0,36 \text{ cm}^2$
Permeability level:	ca. 30.000	@ frequency 10 kHz	@ H peak 3,65 mA/cm

3. Inspection values

	Measured value	Measurement limits	Frequency	leff x N [mA x turn]
AL [μ H]		13,6 - 27,2	10 kHz	20
AL [μ H]		6,8 - NA	100 kHz	20

4. Core finishing

Type:	Cased
Marking:	MAGNETEC M-123-01 YM (YM = Year/Month), acc. to IEC 60062 6.1.1
Packaging:	35 pcs. per layer; 6 layers per carton box ; PU = 210 pcs.

5. Comments :



Index / Revision	Alteration	Date
01 / 00	Product Specification	21.07.2003
01 / 01	Casechange: PU:210	01.06.2005
01 / 02	LN format	22.02.2013
01 / 03	100kHz lower limit defined	12.11.2014

Created:	Z. Palánki	Approved (Techn):	F. Zámberszky	Approved (Quality):	J. Gulyás	Released:	T. Trupp
	12.11.2014		28.01.2015		28.01.2015		28.01.2015