

FORM F 108
Revision: 05
Page: 1/1

Product specification
for inductive components

MAGNETEC GmbH
Industriestrasse 7
D-63505 Langenselbold

Client:	MAGNETEC	Magnetec P/N:	M-125	Magnetec A/N:	12130
Client's P/N:		PS Index:	03	PS Revision:	08
Subject:	EMC Wandler				

1. Mechanical Outline

Nominal equivalent round core:

16 x 10 x 6

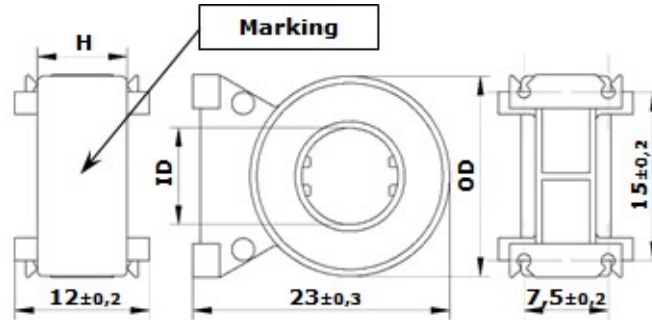
Finished product dimensions:

OD \leq 18,2

ID \geq 8,4

H \leq 8,2

[dimensions] = mm



2. Core data (nominal values)

Core material:	NANOPERM®	$L_{Fe} = 4,0$ cm	$A_{Fe} = 0,12$ cm ²
Permeability level:	ca. 30 000	@ frequency 10 kHz	@ H peak 3,5 mA/cm

3. Inspection values (at room temperature, unless otherwise stated)

Measured value	Measurement limits	Frequency	leff x N [mA x turn]
AL [μ H]	9,5 - 19	10 kHz	10
AL [μ H]	5,64 - NA	100 kHz	10

4. Core finishing

Type:	Cased
Marking:	MAGNETEC M-125-03 YM (YM = Year/Month), acc. to IEC 60062 6.1.1
Packaging:	60 pcs. per layer; 7 layers per carton box; PU = 420 pcs.

5. Comments

Visit http://www.magnetec.de/fileadmin/pdf/pb_ds.pdf for further information.

Index / Revision	Alteration	Date
01 / 00	Product Specification	06.09.2001
02 / 01	LN form / PU = 360 pcs / RoHS compliant	14.11.2008
02 / 02	Marking position changed	11.10.2012
02 / 03	Dimension change	17.10.2012
02 / 04	Packaging change	29.11.2013
02 / 05	100kHz lower limit defined	12.11.2014
02 / 06	Drawing updated	25.02.2016
03 / 07	Change to blue	01.08.2016
03 / 08	100 kHz lower limit increased	05.12.2018

Created:	Z. Braxátor 05.12.2018	Approved (Techn):	F. Záborszky 18.01.2019	Approved (Quality):	R. Montvai 19.12.2018	Released:	B. Kessler 21.01.2019
----------	---------------------------	-------------------	----------------------------	---------------------	--------------------------	-----------	--------------------------

Disclosing the specification to third parties or using its content without written permission from MAGNETEC is strictly forbidden and every offender is liable to pay the corresponding damages