

FORM
Identifier: F 108
Revision: 04
Page: 1/1

Product specification
for inductive components

MAGNETEC GmbH
Industriestrasse 7
D-63505 Langenselbold



Client:	MAGNETEC	Magnetec P/N:	M-134	Magnetec A/N:	12119
Client's P/N:	-	PS Index:	01	PS Revision:	00
Subject:	EMC Wandler			Type:	E

1. Mechanical Outline

Nominal core dimensions:

50 x 40 x 20

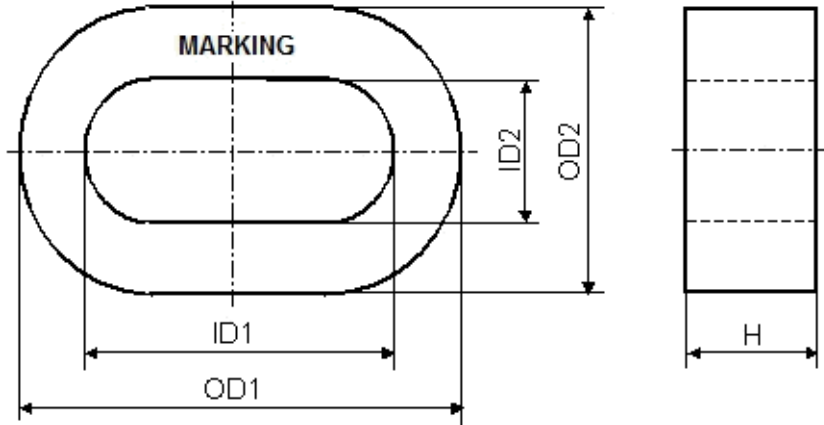
Finished product dimensions:

OD \leq 60,0 (1) / 40,0 (2)

ID \geq 43,0 (1) / 25,0 (2)

H \leq 22,3

[dimensions] = mm



2. Core data

Core material:	NANOPERM®	$L_{Fe} = 14,1 \text{ cm}$	$A_{Fe} = 0,8 \text{ cm}^2$
Nominal values:	Permeability level	@ frequency	@ H peak
	45.000	10 kHz	3,0 mA/cm

3. Inspection values

	Measured value	Measurement limits	Frequency	$l_{eff} \times N$ [mA x turn]
AL1	[μ H]	20,0 - 40,0	10 kHz	30,0

4. Core finishing

Type:	Epoxy coated
Marking:	MAGNETEC M-134-01 YM (YM = Year/Month), acc. to IEC 62 5.1
Packaging:	14 pcs. per layer; 5 layers per carton box; PU = 60 pcs.

5. Comments:



Index / Revision	Alteration	Date
01 / 00	Product Specification	13.08.2001

Created:	Á. Kovách	Approved (Techn):	F. Záborszky	Approved (Quality):	V. Káposztás	Released:	F. Rauscher
	13.08.2001		13.08.2001		13.08.2001		17.08.2001