

FORM F 108
Revision: 05
Page: 1/1

Product specification
for inductive components

MAGNETEC GmbH
Industriestrasse 7
D-63505 Langenselbold

Client:	MAGNETEC	Magnetec P/N:	M-162	Magnetec A/N:	12159
Client's P/N:	/	PS Index:	02	PS Revision:	03
Subject:	EMC Wandler				

1. Mechanical Outline

Nominal equivalent round core:

23 x 12 x 15

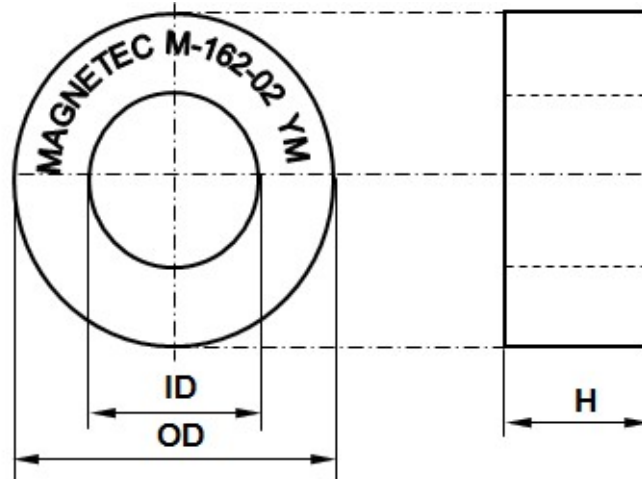
Finished product dimensions:

OD \leq 25,0

ID \geq 10,0

H \leq 17,0

[dimensions] = mm



2. Core data (nominal values)

Core material:	NANOPERM®	$L_{Fe} = 5,31 \text{ cm}$	$A_{Fe} = 0,62 \text{ cm}^2$
Permeability level:	ca. 25.000	@ frequency 10 kHz	@ H peak 2,7 mA/cm

3. Inspection values (at room temperature, unless otherwise stated)

Measured value	Measurement limits	Frequency	leff x N [mA x turn]
AL [μ H]	25,0 - 43,7	10 kHz	10,0

4. Core finishing

Type:	Epoxy coated
Marking:	MAGNETEC M-162-02 YM (YM = Year/Month), acc. to IEC 62 5.1
Packaging:	75 pcs. per layer; 5 layers per carton box; PU = 375 pcs.

5. Comments

Visit http://www.magnetec.de/fileadmin/pdf/pb_ds.pdf for further information.

Index / Revision	Alteration	Date
01 / 00	Product specification	03.04.2002
01 / 01	Excitation: 10mA	14.08.2003
02 / 02	Low limit: AL \geq 25 μ H	15.08.2003
02 / 03	LN format, nominal permeability change	08.02.2013

Created:	Z. Palánki 08.02.2013	Approved (Techn):	F. Záborszky 11.02.2013	Approved (Quality):	J. Gulyás 11.02.2013	Released:	F. Rauscher 11.02.2013
----------	--------------------------	-------------------	----------------------------	---------------------	-------------------------	-----------	---------------------------

Disclosing the specification to third parties or using its content without written permission from MAGNETEC is strictly forbidden and every offender is liable to pay the corresponding damages