



Client:	MAGNETEC GmbH	Magnetec P/N:	M-381	Magnetec A/N:	12349
Client's P/N:	/	PS Index:	04	PS Revision:	05
Subject:	EMC Wandler			Type:	E

1. Mechanical Outline

Nominal core dimensions:

40 x 32 x 15

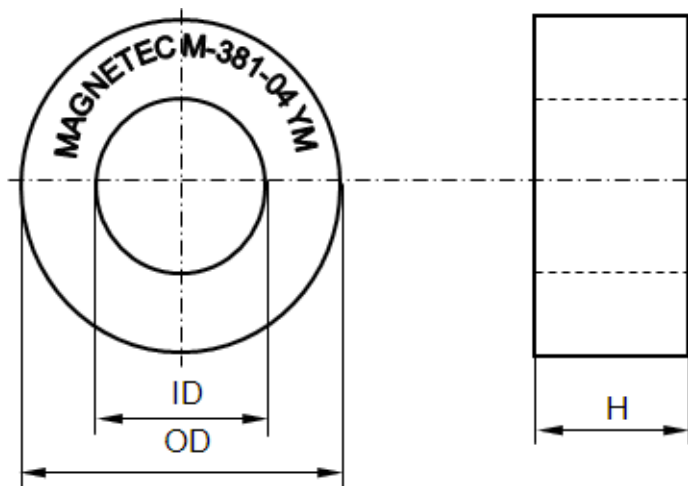
Finished product dimensions:

OD \leq 43,1

ID \geq 28,8

H \leq 17,4

[dimensions] = mm



2. Core data (nominal values)

Core material:	NANOPERM®	$L_{Fe} = 11,26 \text{ cm}$	$A_{Fe} = 0,47 \text{ cm}^2$
Permeability level:	90 000	@ frequency 10 kHz	@ H peak 3,14 mA/cm

3. Inspection values

	Measured value	Measurement limits	Frequency	leff x N [mA x turn]
AL1 [μ H]		33,0 - 66,0	10 kHz	25
AL2 [μ H]		8,4 - 15,6	100 kHz	25

4. Core finishing

Type:	Cased
Marking:	MAGNETEC M-381-04 YM (YM = Year/Month), acc. to IEC 60062 6.1.1
Packaging:	24 pcs. per layer; 5 layers per carton box ; PU = 120 pcs.

5. Comments:



Index / Revision	Alteration	Date
01 / 01	Product Specification	08.02.2006
02 / 02	Cased version	21.03.2006
03 / 03	Improved DC behaviour	17.05.2006
04 / 04	Case material Ultramid; Case height \leq 17,5 mm, 100 kHz value	28.03.2011
04 / 05	Nominal permeability is 90 000, 10kHz upper limit is 66 μ H	04.08.2014

Created:	Z. Palánki	Approved (Techn):	F. Záborszky	Approved (Quality):	J. Gulyás	Released:	T. Trupp
	04.08.2014		08.08.2014		08.08.2014		08.08.2014