

FORM F 108
Revision: 05
Page: 1/1

Product specification
for inductive components

MAGNETEC GmbH
Industriestrasse 7
D-63505 Langenselbold

Client:	MAGNETEC GmbH	Magnetec P/N:	M-452	Magnetec A/N:	12421
Client's P/N:	/	PS Index:	02	PS Revision:	03
Subject:	EMC Wandler				

1. Mechanical Outline

Nominal equivalent
round core:

63 x 50 x 30

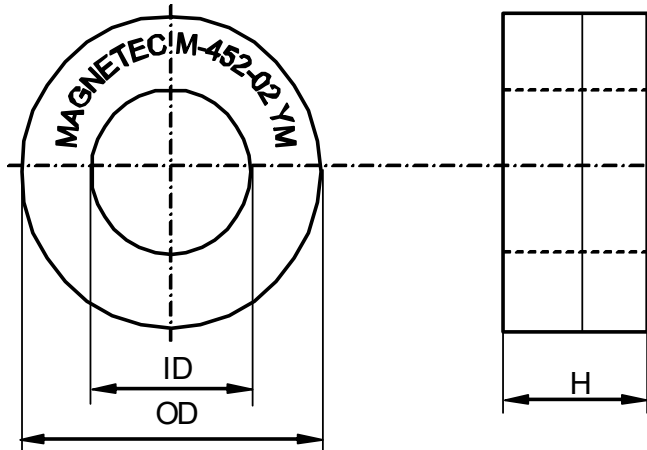
Finished product
dimensions:

OD \leq 68,7

ID \geq 43,0

H \leq 36,0

[dimensions] = mm



2. Core data (nominal values)

Core material:	NANOPERM®	$L_{Fe} = 17,40$ cm	$A_{Fe} = 1,60$ cm ²
Permeability level:	8.000	@ frequency 10 kHz	@ H peak 3 mA/cm

3. Inspection values (at room temperature, unless otherwise stated)

Measured value	Measurement limits	Frequency	leff x N [mA x turn]
AL [μ H]	6,47 - 12,92	10 kHz	37
AL [μ H]	5,5 - 10,98	100 kHz	37

4. Core finishing

Type:	Cased
Marking:	MAGNETEC M-452-02 YM
Packaging:	8 pcs. per layer; 2 layers per carton box; PU = 16 pcs.

5. Comments

Visit http://www.magnetec.de/fileadmin/pdf/pb_ds.pdf for further information.

Index / Revision	Alteration	Date
02 / 01	Product Specification	16.01.2008
02 / 02	AL limit and working point change	22.10.2010
02 / 03	Harmonization of part and finished product dimensions	17.01.2020

Created:	Z. Braxátor 17.01.2020	Approved (Techn):	F. Záborszky 17.01.2020	Approved (Quality):	G. Zsák 17.01.2020	Released:	B. Kessler 17.01.2020
----------	---------------------------	----------------------	----------------------------	------------------------	-----------------------	-----------	--------------------------

Disclosing the specification to third parties or using its content without written permission from MAGNETEC is strictly forbidden and every offender is liable to pay the corresponding damages