



Client:	MAGNETEC	Magnetec P/N:	M-623	Magnetec A/N:	12476
Client's P/N:	/	PS Index:	02	PS Revision:	04
Subject:	EMC Wandler			Type:	

1. Mechanical Outline

Nominal core dimensions:

55 x 40 x 25

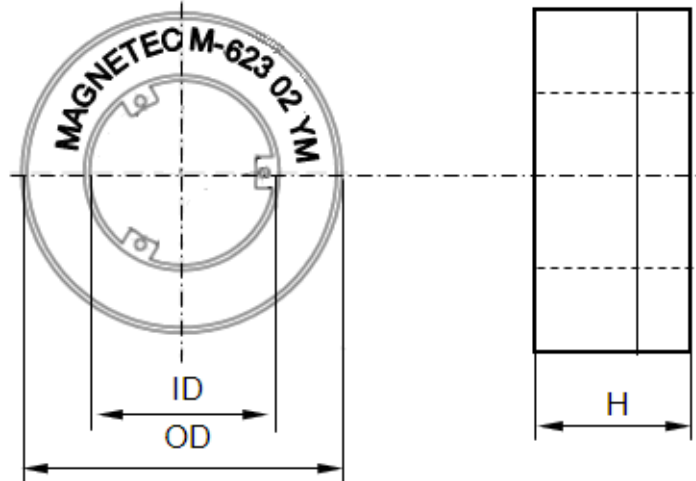
Finished product dimensions:

OD ≤ 60,2

ID ≥ 34,2

H ≤ 32,0

[dimensions] = mm



2. Core data (nominal values)

Core material:	NANOPERM®	$L_{Fe} = 14,6 \text{ cm}$	$A_{Fe} = 1,4 \text{ cm}^2$
Permeability level:	ca. 20 000	@ frequency 10 kHz	@ H peak 3,2 mA/cm

3. Inspection values

	Measured value	Measurement limits	Frequency	leff x N [mA x turn]
AL [μH]		17,4 - 32,3	10 kHz	35
AL [μH]		10,4 - NA	100 kHz	35

4. Core finishing

Type:	Cased
Marking:	MAGNETEC M-623-02 YM (YM = Year/Month), acc. to IEC 60062 6.1.1
Packaging:	10 pcs. per layer; 3 layers per carton box ; PU = 30 pcs.

5. Comments:



Index / Revision	Alteration	Date
01 / 01	Product Specification	20.03.2009
02 / 02	Cased version	02.03.2010
02 / 03	Finished product dimensions 60,2 x 34,2 x 32,0 mm	27.09.2011
02 / 04	100kHz lower limit defined	18.11.2014

Created:	Z. Palánki	Approved (Techn):	F. Záborszky	Approved (Quality):	J. Gulyás	Released:	T. Trupp
	18.11.2014		12.01.2015		12.01.2015		12.01.2015