

FORM F 108  
Revision: 05  
Page: 1/1

Product specification  
for inductive components

MAGNETEC GmbH  
Industriestrasse 7  
D-63505 Langenselbold

Client:	MAGNETEC GmbH	Magnetec P/N:	M-669	Magnetec A/N:	12541
Client's P/N:	/	PS Index:	03	PS Revision:	03
Subject:	EMC Wandler				

1. Mechanical Outline

Nominal equivalent round core:

25 x 16 x 10

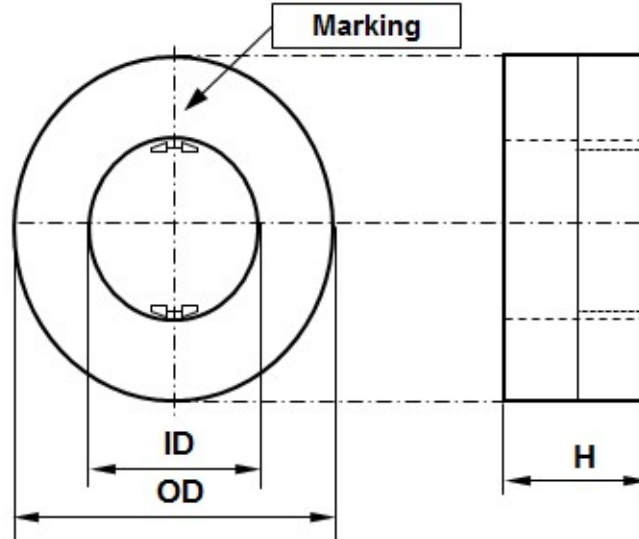
Finished product dimensions:

OD  $\leq$  28,0

ID  $\geq$  13,0

H  $\leq$  12,6

[dimensions] = mm



2. Core data (nominal values)

Core material:	NANOPERM®	$L_{Fe} = 6,34$ cm	$A_{Fe} = 0,338$ cm <sup>2</sup>
Permeability level:		@ frequency	@ H peak
	2 000	10 kHz	3 mA/cm
	2 000	100 kHz	3 mA/cm

3. Inspection values (at room temperature, unless otherwise stated)

Measured value	Measurement limits	Frequency	$l_{eff} \times N$ [mA x turn]
AL1 [ $\mu$ H]	0,938 - 1,874	10 kHz	13,5
AL2 [ $\mu$ H]	0,938 - 1,874	100 kHz	13,5

4. Core finishing

Type:	Cased
Marking:	MAGNETEC M- 669-03 YM (YM = Year/Month), acc. to IEC 60062 6.1.1
Packaging:	63 pcs. per layer; 6 layers per carton box; PU = 378 pcs.

5. Comments

Visit [http://www.magnetec.de/fileadmin/pdf/pb\\_ds.pdf](http://www.magnetec.de/fileadmin/pdf/pb_ds.pdf) for further information.

Index / Revision	Alteration	Date
01 / 01	Product Specification	21.02.2011
02 / 02	Change to blue case	26.07.2016
03 / 03	Finished product dimensions corrected	14.09.2016

Created:	M. Pádár 14.09.2016	Approved (Techn):	F. Záborszky 23.09.2016	Approved (Quality):	L. Ferencz 23.09.2016	Released:	P. Seiz 11.07.2017
----------	------------------------	-------------------	----------------------------	---------------------	--------------------------	-----------	-----------------------

Disclosing the specification to third parties or using its content without written permission from MAGNETEC is strictly forbidden and every offender is liable to pay the corresponding damages