

FORM F 108
Revision: 05
Page: 1/1

**Product specification
for inductive components**

MAGNETEC GmbH
Industriestrasse 7
D-63505 Langenselbold

Client:	MAGNETEC	Magnetec P/N:	M-939	Magnetec A/N:	12745
Client's P/N:		PS Index:	01	PS Revision:	02
Subject:	EMC Wandler				

1. Mechanical Outline

Nominal equivalent round core:

16 x 10 x 6

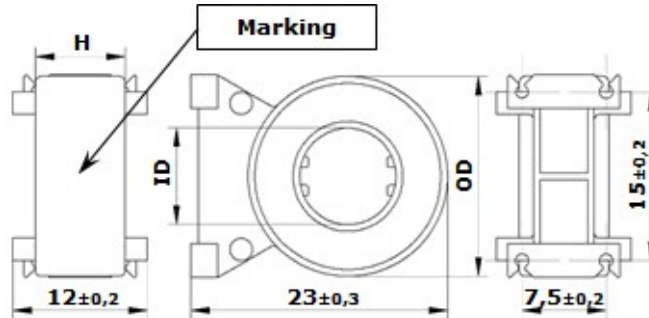
Finished product dimensions:

OD \leq 18,2

ID \geq 8,4

H \leq 8,2

[dimensions] = mm



2. Core data (nominal values)

Core material:	NANOPERM®	$L_{Fe} = 4,0$ cm	$A_{Fe} = 0,13$ cm ²
Permeability level:	90.000	@ frequency 10 kHz	@ H peak 3 mA/cm

3. Inspection values (at room temperature, unless otherwise stated)

Measured value	Measurement limits	Frequency	leff x N [mA x turn]
AL [μH]	26,2 - 52,4	10 kHz	8,6
AL [μH]	8,5 - NA	100 kHz	8,6

4. Core finishing

Type:	Cased
Marking:	MAGNETEC M-939-01 YM (YM = Year/Month), acc. to IEC 60062 6.1.1
Packaging:	60 pcs. per layer; 7 layers per carton box; PU = 420 pcs.

5. Comments

Visit http://www.magnetec.de/fileadmin/pdf/pb_ds.pdf for further information.

Index / Revision	Alteration	Date
01 / 01	First issue	05.06.2015
01 / 02	Drawing updated	25.02.2016

Created:	Z. Palánki 25.02.2016	Approved (Techn):	F. Záborszky 10.03.2016	Approved (Quality):	J. Gulyás 10.03.2016	Released:	T. Trupp 10.03.2016
-----------------	--------------------------	--------------------------	----------------------------	----------------------------	-------------------------	------------------	------------------------

Disclosing the specification to third parties or using its content without written permission from MAGNETEC is strictly forbidden and every offender is liable to pay the corresponding damages