

FORM
 Identifier: F 108
 Revision: 04
 Page: 1/1

**Product specification
 for inductive components**

MAGNETEC GmbH
 Industriestrasse 7
 D-63505 Langenselbold



Client:	MAGNETEC	Magnetec P/N:	M-987	Magnetec A/N:	12715
Client's P/N:	/	PS Index:	01	PS Revision:	01
Subject:	EMC Wandler			Type:	

1. Mechanical Outline

Nominal core dimensions:

45 x 30 x 20

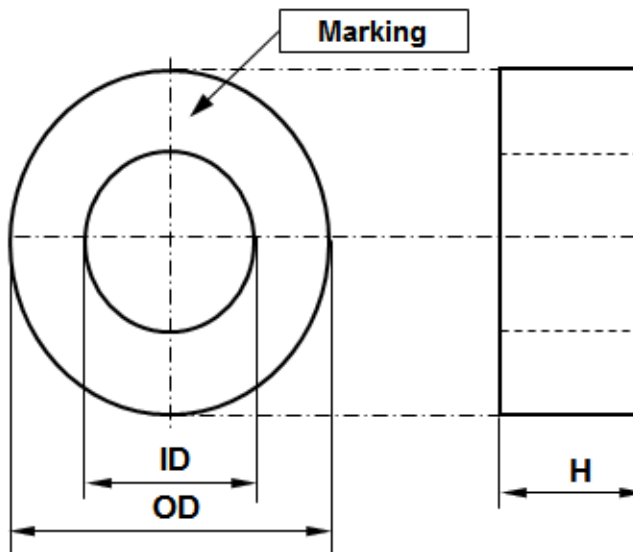
Finished product dimensions:

OD \leq **48,4**

ID \geq **25,5**

H \leq **23,4**

[dimensions] = mm



2. Core data (nominal values)

Core material:	NANOPERM®	$L_{Fe} = 11,46 \text{ cm}$	$A_{Fe} = 1,1 \text{ cm}^2$
Permeability level:	30 000	@ frequency 10 kHz	@ H peak 3 mA/cm

3. Inspection values

	Measured value	Measurement limits	Frequency	$l_{eff} \times N$ [mA x turn]
AL [μ H]		25,2 - 50,4	10 kHz	24
AL [μ H]		13,0 - NA	100 kHz	24

4. Core finishing

Type:	Cased
Marking:	MAGNETEC M-987-01 YM (YM = Year/Month), acc. to IEC 60062 6.1.1
Packaging:	15 pcs. per layer; 4 layers per carton box ; PU = 60 pcs.

5. Comments:



Index / Revision	Alteration	Date
01 / 01	First issue	09.03.2016

Created:	Z. Palánki	Approved (Techn):	F. Záborszky	Approved (Quality):	J. Gulyás	Released:	H-J. Poess
	09.03.2016		21.03.2016		21.03.2016		25.03.2016