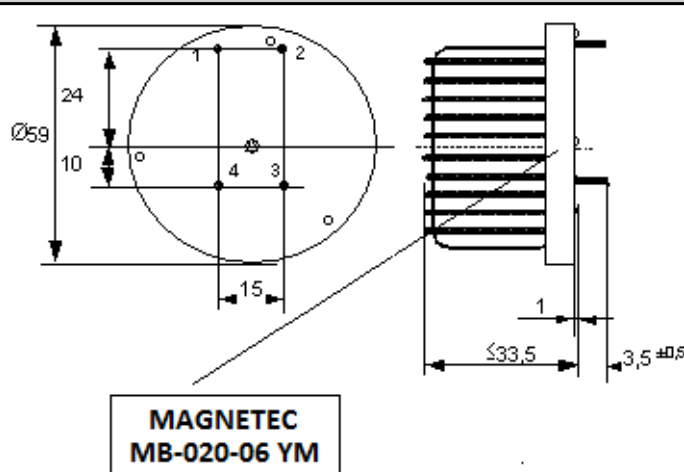
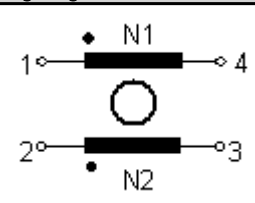


FORM Identifier: F 190 Revision: 01 Page: 1/1	Product specification for Inductive Components	MAGNETEC GmbH Industriestrasse 7 D-63505 Langenselbold
---	---	---

Client:	MAGNETEC GmbH	Magnetec P/N:	MB-020	Magnetec A/N:	12063
Client's p/n:	/	PS Index:	06	PS Revision:	06
Subject:	EMC Component			Type:	E

1.1 Mechanical outline  <p style="text-align: center;">MAGNETEC MB-020-06 YM</p> <p>Distance between coils $\geq 3,0$ mm</p>	1.2 Wiring diagram  <p style="text-align: center;">Wire diameter 2,0 mm</p> <input checked="" type="checkbox"/> Date code acc. to IEC 62 5.1 (YM) <input type="checkbox"/> Date code acc. to IEC 62 5.2 (YW) <input checked="" type="checkbox"/> RoHS compliant acc. to 2002/95/EC
---	---

2. Nominal values			
Core material:	NANOPERM®	Wire Resistance:	$\leq 8,0$ mOhms
Nominal voltage:	250 V _{eff}	High voltage strength:	Up,eff = 2,5 kV
Nominal inductance:	2 x 33 mH	Operating temperature:	-40 ... +50 °C
Nominal current:	20 A	Storage temperature:	-40 ... +85 °C
Leakage inductances:	ca. 12 µH	Standard:	EN 60938-1
Comments:	N1 = N2 = 18 turns		

3. Inspection values			
	Measured value	Measuring limits	Measuring configurations
	Inductivity L1; L2 [mH]	20,0 - 50,0	I _{eff} = 1 mA
	Wire resistance R _{cu} 1; R _{cu} 2 [mOhms]	NA - 8,0	f = 10 kHz
	HV strength between N 1; N2 / I _{iso} < 1mA	OK - NOK	RT = 25°C
		-	Up,eff = 2,5 kV
		-	t = 2 s

4. Others	
Marking:	MAGNETEC MB-020-06 YM (date of fabrication year / month)
Packaging:	12 pcs. per layer, 2 layers per carton box; PU = 24 pcs.
Comments:	

Index / Rev.	Alteration	Date
05 / 01	Core M-044-03; Base plate 60x2 mm	28.03.2001
06 / 02	Base plate MT-012.01 V1; L1 = L2 = 20,0 - 50,0 mH @ f = 10 kHz	23.01.2003
06 / 03	Soldering material; Effective pin length 3,5 mm	06.02.2003
06 / 04	Effective choke height $\geq 33,5$ mm	05.11.2003
06 / 05	4 cable ties; Hole diameters 2.3 mm	13.07.2004
06 / 06	New format	17.03.2011

Created:	Zs. Eperjesi 17.03.2011	Approved (Techn):	F. Zámorszky 28.03.2011	Approved (Quality):	V. Kaposztas 28.03.2011	Released:	F. Rauscher 28.03.2011
-----------------	----------------------------	--------------------------	----------------------------	----------------------------	----------------------------	------------------	---------------------------