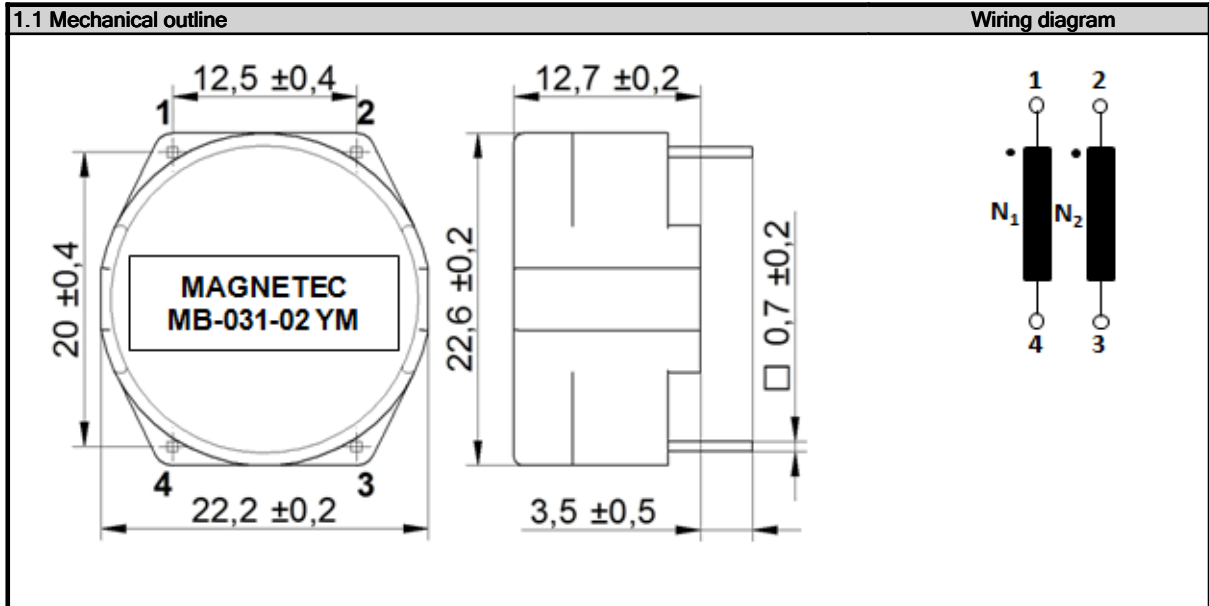


FORM Identifier: F 190 Revision: 02 Page: 1/1	Product specification for Inductive Components	MAGNETEC GmbH Industriestrasse 7 D-63505 Langenselbold
---------------------------------------------------------------	-----------------------------------------------------------	---------------------------------------------------------------------

Client:	MAGNETEC	Magnetec P/N:	MB-031	Magnetec A/N:	12049
Client's p/n:		PS Index:	02	PS Revision:	03
Subject:	EMC Component			Type:	E



2. Nominal values			
Core material:	NANOPERM®	Wire Resistance:	<= 40,0 mOhms
Nominal voltage:	250 Veff AC	High voltage strength:	Up,eff = 2,5 kV
Nominal inductance:	2 x 11 mH	Operating temperature:	-40 ... +60 °C
Nominal current:	3,6* A	Storage temperature:	-40 ... +85 °C
Leakage inductances:	~ 8 µH	Design standard:	EN 60938-1
No. of turns:	N1 = N2 = 18	Wire diameter:	0,56 mm
Comments:	* forced cooling assumed		

3. Inspection values			
	Measured value	Measuring limits	Measuring configurations
	Inductivity L 1; L2 [mH]	8,4 - 21,0	f = 10 kHz
	Wire resistance Rcu 1; Rcu2 [mOhms]	0 - 40,0	RT = 25 °C
	HV strength betw . N1 & N2 / liso < 1mA	OK - NOK	Up,eff = 2,5 kV
		-	Ieff = 1 mA
		-	t = 2 s

4. Others	
	Marking: MAGNETEC MB-031-02 YM (YM = Year/Month), acc. to IEC 62 5.1
	Packaging: 60 pcs. per layer, 5 layers per carton box ; PU = 300 pcs.
	Comments:

Index / Rev.	Alteration	Date
01 / 01	Product Specification	10.10.2005
02 / 02	Pins 0.74x0.74mm +/-0.1 mm before tinning	10.11.2006
02 / 03	Drawing changed: tolerances added	05.06.2013

Created:	Z. Palánki	Approved (Techn):	F. Záborszky	Approved (Quality):	J. Gulyás	Released:	T. Trupp
	05.06.2013		12.08.2013		12.08.2013		12.08.2013