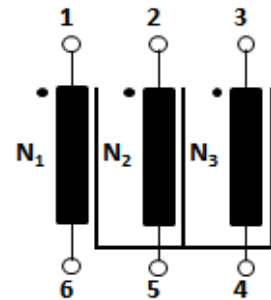
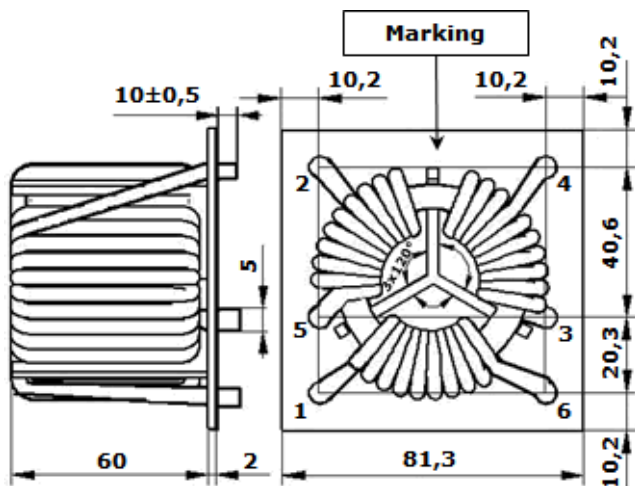


FORM Identifier: F 190 Revision: 02 Page: 1/1	Product specification for Inductive Components	MAGNETEC GmbH Industriestrasse 7 D-63505 Langenselbold
--	---	---

Client: MAGNETEC	Magnetec P/N: MB-047	Magnetec A/N: 12407
Client's p/n: -	PS Index: 04	PS Revision: 03
Subject: EMC Component	Type:	

1.1 Mechanical outline	Wiring diagram
-------------------------------	-----------------------



Spacer: 3mm wide, FR4. Pin diameter: 5mm

2. Nominal values

Core material:	NANOPERM®	Wire Resistance:	<= 3,8 mOhms
Nominal voltage:	480 Veff AC	High voltage strength:	Up,eff = 2,5 kV
Nominal inductance:	3 x 4 mH	Operating temperature:	-40 ... +50 °C
Nominal current:	30/45* A	Storage temperature:	-40 ... +85 °C
Leakage inductances:	ca. 20 µH	Design standard:	EN 60938-1
No. of turns:	N1 = N2 = N3 = 10	Wire diameter:	200 x 0,2 mm
Comments:	* forced cooling assumed		

3. Inspection values

Measured value	Measuring limits	Measuring configurations	
Inductivity L 1; L2; L3 [mH]	2,1 - 6,1	f = 10 kHz	leff = 3 mA
Wire resistance Rcu 1; Rcu2; Rcu3 [mOhms]	0 - 3,8	T=23±3°C	t = 2 s
HV strength between N 1; N2; N3 / liso<1mA	OK - NOK	Ueff = 2,5 kV	
	-		
	-		

4. Others

	Marking:	MAGNETEC MB -047-04 YM (YM = Year/Month), acc. to IEC 60062 6.1.1
	Packaging:	9 pcs. per layer, 1 layers per carton box ; PU = 9 pcs.
	Comments:	

Index / Rev.	Alteration	Date
04 / 01	Product Specification	13.04.2011
04 / 02	Effective pin diameter; Upeff = 2,5 kV	22.08.2011
04 / 03	Drawings updated	27.05.2015

Created:	Z. Palánki	Approved (Techn):	F. Zámbořszky	Approved (Quality):	J. Gulyás	Released:	T. Trupp
	27.05.2015		15.06.2015		15.06.2015		15.06.2015