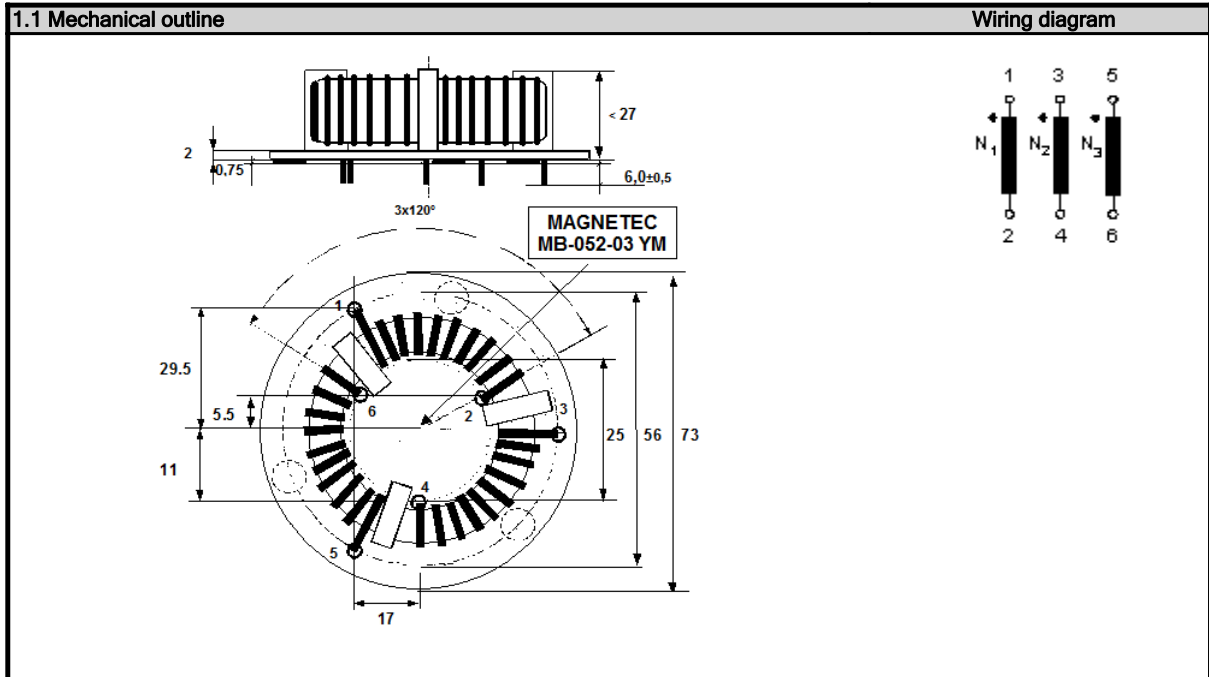


FORM Identifier: F 190 Revision: 02 Page: 1/1	Product specification for Inductive Components	MAGNETEC GmbH Industriestrasse 7 D-63505 Langenselbold
---	---	---

Client:	MAGNETEC	Magnetec P/N:	MB-052	Magnetec A/N:	12111
Client's p/n:	-	PS Index:	03	PS Revision:	00
Subject:	EMC Component			Type:	E



2. Nominal values			
Core material:	NANOPERM®	Wire Resistance:	<= 7 mOhms
Nominal voltage:	440 Veff AC	High voltage strength:	Up,eff = 2,5 kV
Nominal inductance:	3 x 4 mH	Operating temperature:	-40 ... +60 °C
Nominal current:	14 / 20* A	Storage temperature:	-40 ... +85 °C
Leakage inductances:	~ 20 µH	Design standard:	EN 60938-1
No. of turns:	N1 = N2 = N3 = 18	Wire diameter:	1,8 mm
Comments:	* forced cooling assumed		

3. Inspection values			
	Measured value	Measuring limits	Measuring configurations
	Inductivity L1; L2; L3 [mH]	2,8 - 5,6	f = 10 kHz
	Wire resistance Rcu1; Rcu2; Rcu3 [mOhms]	NA - 7	RT = 25 °C
	HV strength between N1; N2; N3 / liso<1mA	OK - NOK	Up,eff = 2,5 kV
		-	Ieff = 1 mA
		-	t = 2 s

4. Others	
Marking:	MAGNETEC MB-052-03 YM (YM = Year/Month), acc. to IEC 62 5.1
Packaging:	6 pcs. per layer, 4 layers per carton box; PU = 24 pcs.
Comments:	

Index / Rev.	Alteration	Date
03 / 00	Product Specification	15.06.2001

Created:	Á. Kovách	Approved (Techn):	F. Záborszky	Approved (Quality):	V. Káposztás	Released:	F. Rauscher
	15.06.2001		15.06.2001		15.06.2001		18.06.2001