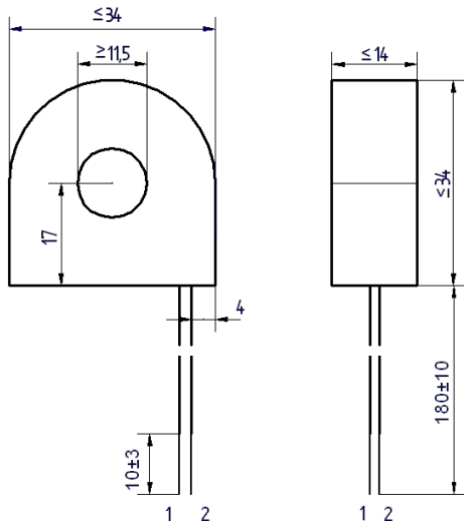



FORM Identifier: F 190 Revision: 01 Page: 1/1	Product specification for Inductive Components	MAGNETEC GmbH Industriestrasse 7 D-63505 Langenselbold
---	--	---

Client:	MAGNETEC GmbH	Magnetec P/N:	MB-362	Magnetec A/N:	
Client's p/n:	/	PS Index:	01S	PS Revision:	01
Subject:	CT Component			Type:	K

1.1 Mechanical outline  <p>Tinned end of wires: 10±3 mm.</p>	1.2 Wiring diagram  <p>Wire diameter 0,18 mm</p> <p> <input checked="" type="checkbox"/> Date code acc. to IEC 62 5.1 (YM) <input type="checkbox"/> Date code acc. to IEC 62 5.2 (YW) <input checked="" type="checkbox"/> RoHS compliant acc. to 2002/95/EC </p>
--	---

2. Nominal values			
Core material:	NANOPERM®	Wire Resistance:	Rcu2 < 60 Ohms
Nominal voltage:	- V_{eff}	High voltage strength:	1,5 kV
Nominal inductance:	1 x 1,95 H	Operating temperature:	-40... +70 °C
Nominal current:	I_{p eff} = 100 A	Storage temperature::	-40 ... +85 °C
Leakage inductances:		Standard:	EN 60938-1
Comments:	N2 = 2500 turns I DC peak = 100 A		

3. Inspection values			
	Measured value	Measuring limits	Measuring configurations
	Inductivity L2 [H]	1,62 - 2,28	f = 1 kHz
	Wire resistance Rcu2 [Ohms]	0 - 60	RT = 25 °C
	N2 turns	2475 - 2525	U _{eff} = 1V
		-	
		-	

4. Others	
Marking:	MAGNETEC MB-362-01 YM
Packaging:	30 pcs. per layer, 5 layers per carton box; PU = 150 pcs.
Comments:	

Index / Rev.	Alteration	Date
01S / v01	Preliminary Specification	29.04.2009

Created:	Zs. Sándor 29.04.2009	Approved (Techn):		Approved (Quality):		Released:	
-----------------	--------------------------	--------------------------	--	----------------------------	--	------------------	--