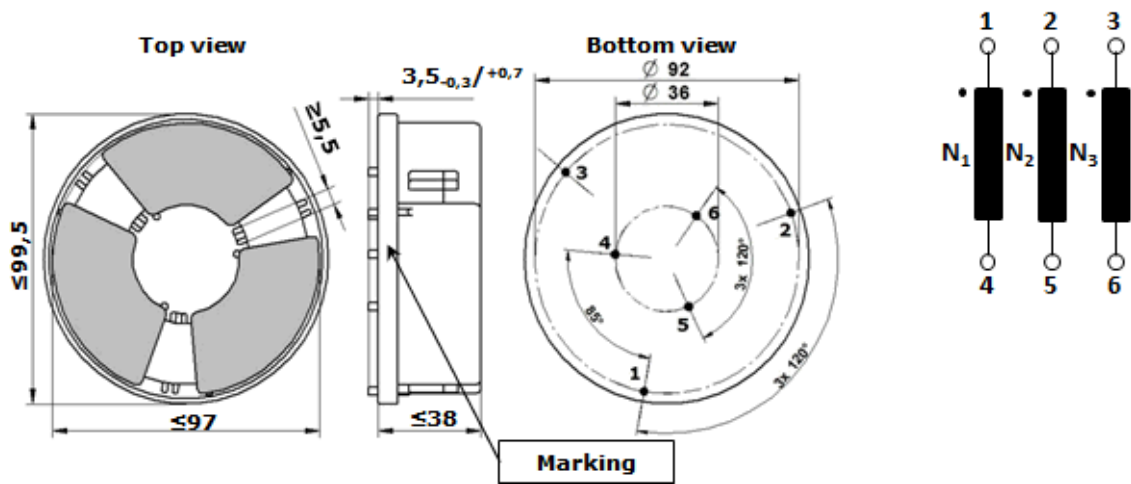


FORM Identifier: F 190 Revision: 02 Page: 1/1	<b>Product specification for Inductive Components</b>	<b>MAGNETEC GmbH</b> Industriestrasse 7 D-63505 Langenselbold
--	---	---

Client: <b>Magnetec</b>	Magnetec P/N: <b>MB-427</b>	Magnetec A/N: <b>12675</b>
Client's p/n: <b>/</b>	PS Index: <b>04</b>	PS Revision: <b>04</b>
Subject: <b>EMC Component</b>	Type:	

<b>1.1 Mechanical outline</b>	<b>Wiring diagram</b>
-------------------------------	-----------------------



Pin position tolerance:  $\pm 0,3\text{mm}$   
Distance between the coils  $\geq 5,5\text{mm}$   
Distance from the wire over the border of the baseplate of the choke to the PCB  $\geq 5,5\text{mm}$

2. Nominal values			
Core material:	<b>NANOPERM®</b>	Wire Resistance:	<b><math>\leq 2,6\text{ mOhms}</math></b>
Nominal voltage:	<b>580 Veff AC</b>	High voltage strength:	<b><math>U_{p,eff} = 4\text{ kV}</math></b>
Nominal inductance:	<b>3 x 316 <math>\mu\text{H}</math> @ 100kHz</b>	Operating temperature:	<b>-40 ... +85 °C</b>
Nominal current:	<b>28,8 * A</b>	Storage temperature:	<b>-40 ... +85 °C</b>
Leakage inductances:	<b>ca. 8 <math>\mu\text{H}</math> @ 100kHz</b>	Design standard:	<b>EN 60938-1</b>
No. of turns:	<b>N1 = N2 = N3 = 7</b>	Wire diameter:	<b>2,5 mm</b>
Comments:	<b>* forced cooling</b>		

3. Inspection values			
	Measured value	Measuring limits	Measuring configurations
	Inductivity L 1; L2; L3 [ $\mu\text{H}$ ]	252 - 395	f = 100 kHz
	HV strength between N 1; N2; N3 / liso < 1mA	OK - NOK	$U_{p,eff} = 4\text{ kV}$
	Wire resistance Rcu 1; Rcu2; Rcu3 [mOhms]	0 - 2,6	RT = 25 °C
		-	$U_{eff} = 1,4\text{ V}$
		-	t = 2 s

4. Others	
Marking:	<b>MAGNETEC MB -427-04 YM (YM = Year/Month), acc. to IEC 60062 6.1.1</b>
Packaging:	<b>2 pcs. per layer, 4 layers per carton box ; PU = 8 pcs.</b>
Comments:	

Index / Rev.	Alteration	Date
03 / 01	Product Specification	09.05.2014
03 / 02	Pin length change	09.03.2015
03 / 03	Change to paper based packaging	21.10.2016
04 / 04	Customer change	24.08.2017

Created: Z. Palánki	Approved (Techn): F. Záborszky	Approved (Quality): G. Zsák	Released: T. Trupp
24.08.2017	29.09.2017	29.09.2017	09.10.2017