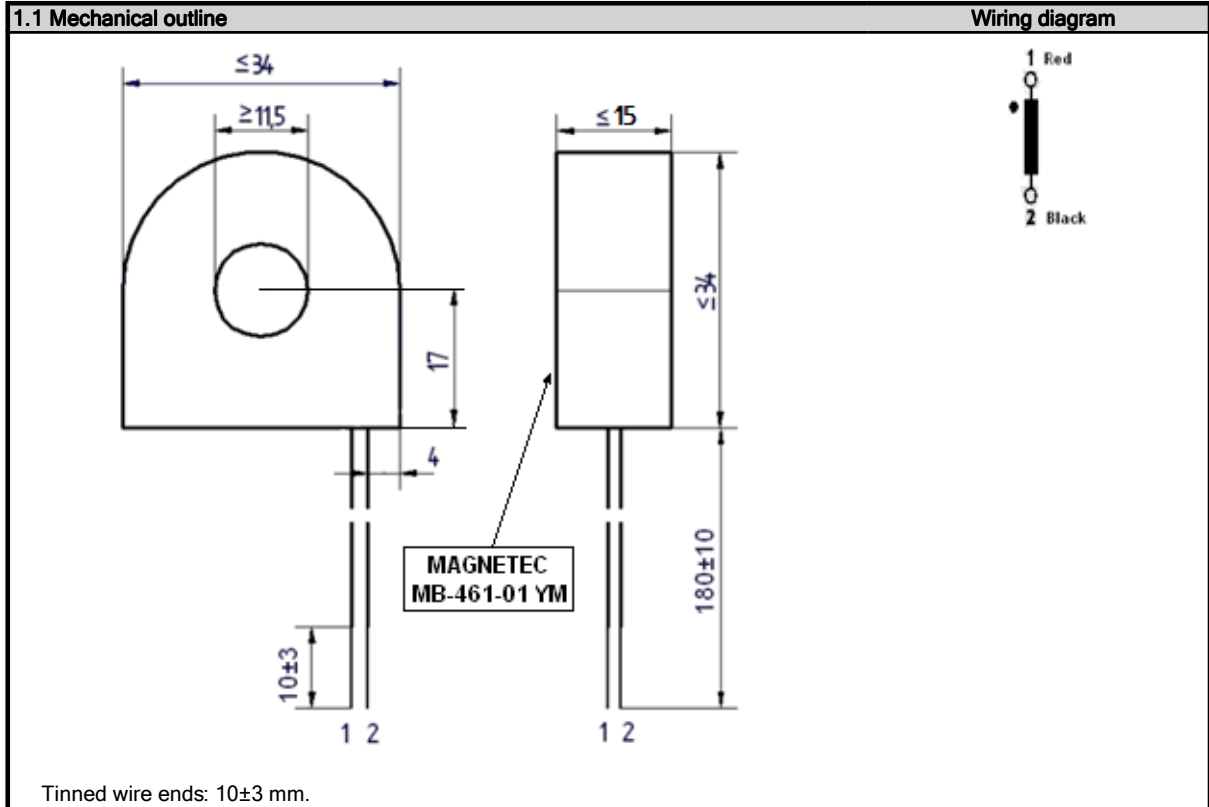


FORM Identifier: F 190 Revision: 02 Page: 1/1	Product specification for Inductive Components	MAGNETEC GmbH Industriestrasse 7 D-63505 Langenselbold
---	---	---

Client:	Magnetec GmbH	Magnetec P/N:	MB-461	Magnetec A/N:	12594
Client's p/n:	/	PS Index:	01	PS Revision:	02
Subject:	CT Component			Type:	K



2. Nominal values			
Core material:	NANOPERM®	Wire Resistance:	≤ 60 Ohms
Nominal voltage:	- Veff AC	High voltage strength:	1,5 kV
Nominal inductance:	1 x 1,95 kH	Operating temperature:	-40 ... +70 °C
Nominal current:	$I_p = 100$ A	Storage temperature:	-40 ... +85 °C
Leakage inductances:		Design standard:	EN 62053-21
No. of turns:	N2 = 2500 turns	Wire diameter:	0,18 mm
Comments:	I DC peak = 100 A; Recommended Rb = 7,5 Ohm to reach Ub = 0,3 V,rms.		

3. Inspection values			
	Measured value	Measuring limits	Measuring configurations
Inductivity L 2 [H]		1,62 - 2,28	f = 50 Hz
Wire resistance Rcu 2 [Ohms]		0 - 60	RT = 25 °C
N2 turns		2475 - 2525	Ueff = 1 V
		-	
		-	

4. Others		
	Marking:	MAGNETEC MB-461-01 YM (Y = Production year / M = Production month)
	Packaging:	30 pcs. per layer, 3 layers per carton box ; PU = 90 pcs.
	Comments:	

Index / Rev.	Alteration	Date
01 / 01	Product specification	13.01.2012
01 / 02	Height change	07.01.2014

Created:	Zs. Sándor	Approved (Techn):	F. Záborszky	Approved (Quality):	J. Gulyas	Released:	H. Dönges
-----------------	------------	--------------------------	--------------	----------------------------	-----------	------------------	-----------

07.01.2014

07.01.2014

07.01.2014

07.01.2014