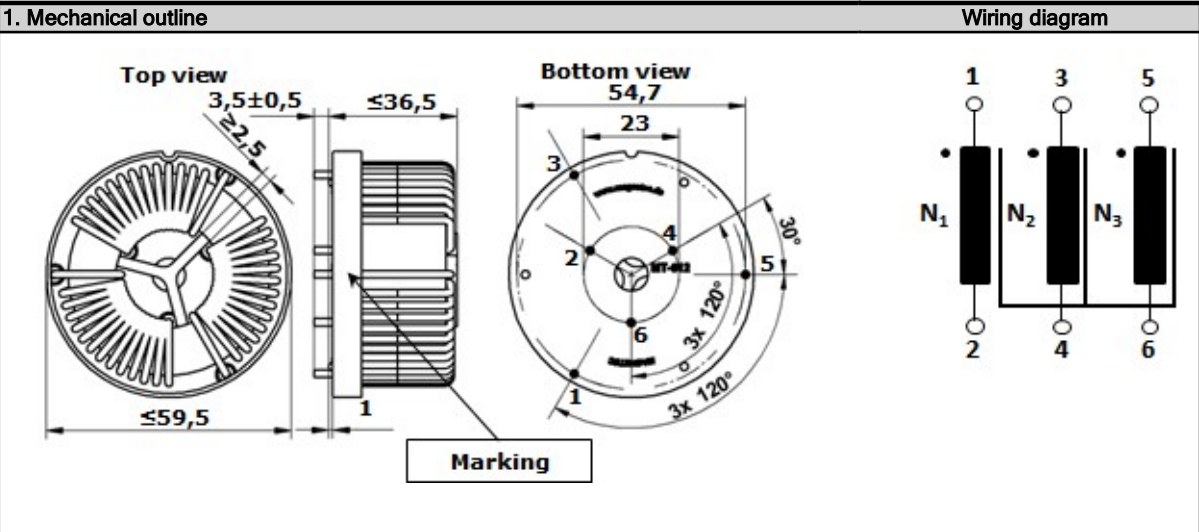


FORM F 190
Revision: 02
Page: 1/1

Product specification
for Inductive Components

MAGNETEC GmbH
Industriestrasse 7
D-63505 Langenselbold

Client:	MAGNETEC	Magnetec P/N:	MB-540	Magnetec A/N:	12792
Client's p/n:		PS Index:	01	PS Revision:	01
Subject:	EMC Component				



2. Nominal values			
Core material:	NANOPERM®	High voltage strength:	$U_{p,eff} = 4 \text{ kV}$
Nominal voltage:	480 Veff AC	Ambient temperature:	-40 ... +60 °C
Nominal inductance:	3 x 15 mH	Max. operating temperature:	°C
Nominal current:	15 A	Storage temperature:	-40 ... +85 °C
Leakage inductances:	~15,5 µH	Design standard:	
No. of turns:	N1 = N2 = N3 = 12	Wire diameter:	1,8 mm
Comments:			

3. Inspection values (at room temperature, unless otherwise stated)			
Measured value	Measuring limits	Measuring configurations	
Inductivity L1; L2; L3 [mH]	10,0 - 22,3	f = 10 kHz	$U_{eff} = 100 \text{ mV}$
Inductivity L1; L2; L3 [mH]	2,5 - NA	f = 100 kHz	$U_{eff} = 100 \text{ mV}$
Wire resistance Rcu1; Rcu2; Rcu3 [mOhms]	0 - 7,0	T = 23±3 °C	
HV strength between N1; N2; N3 / liso<1mA	OK - NOK	$U_{p,eff} = 4 \text{ kV}$	t = 2 s
	-		

4. Others	
Marking:	MAGNETEC MB-540-01 YM (YM = Year/Month), acc. to IEC 60062 6.1.1
Packaging:	12 pcs. per layer, 2 layers per carton box; PU = 24 pcs.
Comments:	Visit http://www.magnetec.de/fileadmin/pdf/pb_ds.pdf for further information.

Index / Rev.	Alteration	Date
01 / 01	First issue	19.05.2016

Created:	Z. Palánki 19.05.2016	Approved (Techn):	F. Záborszky 27.06.2016	Approved (Quality):	L. Ferencz 27.06.2016	Released:	T. Trupp 27.06.2016
----------	--------------------------	-------------------	----------------------------	---------------------	--------------------------	-----------	------------------------

Disclosing the specification to third parties or using its content without written permission from MAGNETEC is strictly forbidden and every offender is liable to pay the corresponding damages