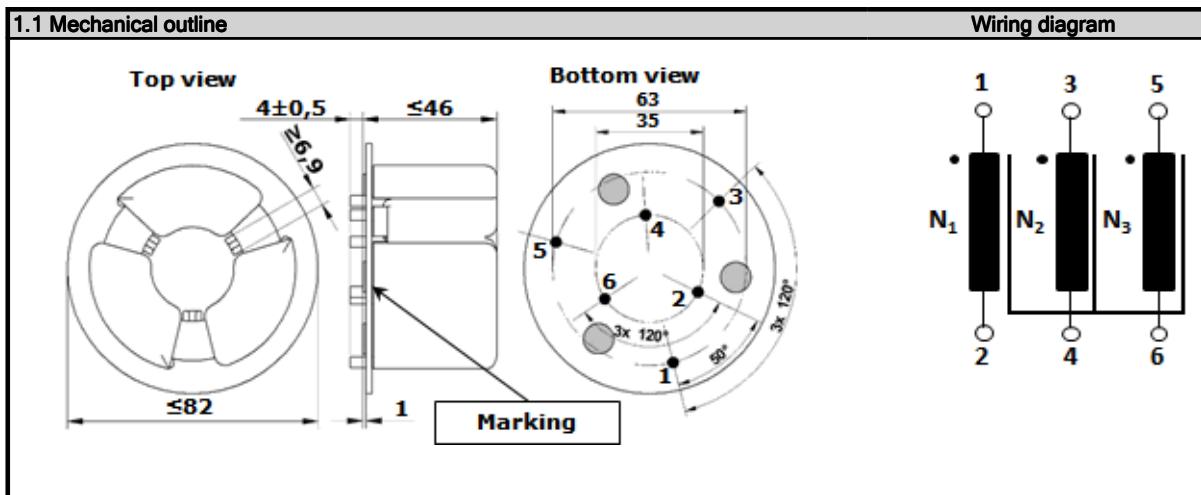



FORM Identifier: F 190 Revision: 02 Page: 1/1	Product specification for Inductive Components	MAGNETEC GmbH Industriestrasse 7 D-63505 Langenselbold
---	---	---

Client:	MAGNETEC	Magnetec P/N:	MB-567	Magnetec A/N:	12760
Client's p/n:		PS Index:	01	PS Revision:	02
Subject:	EMC Component				Type:



2. Nominal values			
Core material:	NANOPERM®	Wire Resistance:	$\leq 1,6$ mOhms
Nominal voltage:	530/310 Veff AC	High voltage strength:	Up,eff = 2,8 kV
Nominal inductance:	3 x 1,2 mH	Operating temperature:	-40 ... +60 °C
Nominal current:	3 x 42 A	Storage temperature::	-40 ... +85 °C
Leakage inductances:	5,7 µH	Design standard:	EN 60938-1
No. of turns:	N1 = N2 = N3 = 7	Wire diameter:	3,35 mm
Comments:			

3. Inspection values			
	Measured value	Measuring limits	Measuring configurations
	Inductivity L 1; L2; L3 [mH]	0,79 - 1,64	f = 10 kHz Ueff = 100 mV
	Inductivity L 1; L2; L3 [mH]	0,47 - NA	f = 100 kHz Ueff = 100 mV
	Wire resistance Rcu 1; Rcu2; Rcu3 [mOhms]	0 - 1,6	T = 23 °C
	HV strength between N 1; N2; N3 / liso < 1mA	OK - NOK	Up,eff = 2,8 kV t = 2 s
		-	

4. Others	
	Marking: MAGNETEC MB-567-01 YM (YM = Year/Month), acc. to IEC 60062 6.1.1 Packaging: 4 pcs. per layer, 2 layers per carton box ; PU = 8 pcs. Comments: Max. allowed choke surface temperature : +120°C

Index / Rev.	Alteration	Date
01 / 01	First issue	20.10.2015
01 / 02	Allowed surface temperature given	20.01.2016

Created:	Z. Palánki	Approved (Techn):	F. Záborszky	Approved (Quality):	J. Gulyás	Released:	T. Trupp
	20.01.2016		25.01.2016		25.01.2016		25.01.2016