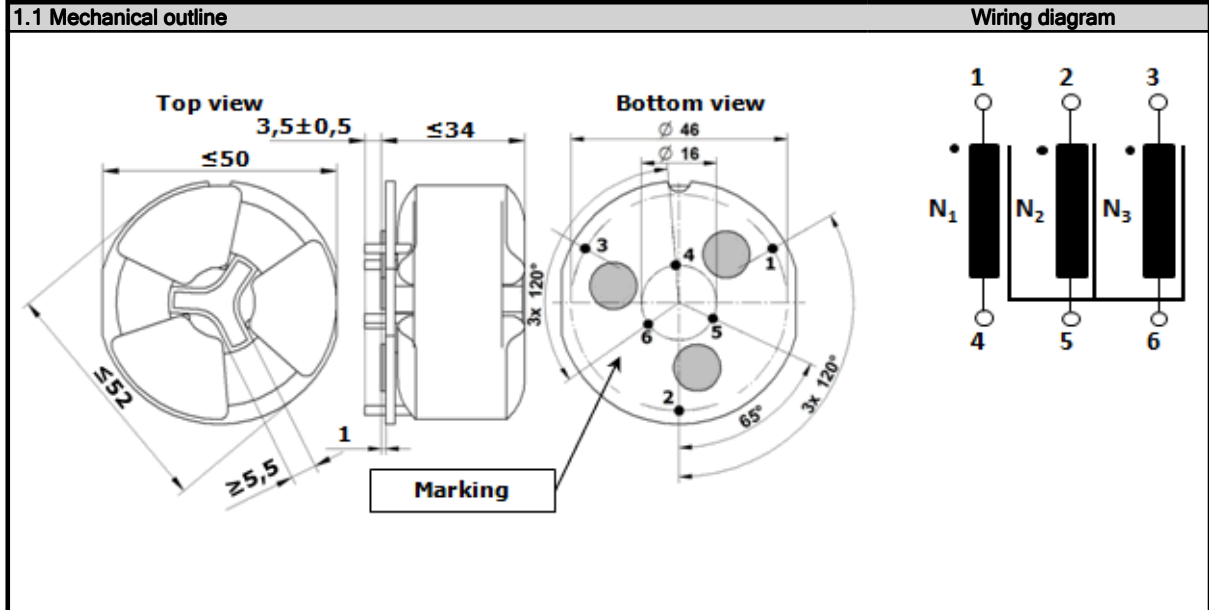



FORM Identifier: F 190 Revision: 02 Page: 1/1	Product specification for Inductive Components	MAGNETEC GmbH Industriestrasse 7 D-63505 Langenselbold
---	--	---

Client:	MAGNETEC	Magnetec P/N:	MB-617	Magnetec A/N:	12717
Client's p/n:	/	PS Index:	01	PS Revision:	01
Subject:	EMC Component			Type:	



2. Nominal values			
Core material:	NANOPERM®	Wire Resistance:	≤ 6 mOhms
Nominal voltage:	600 Veff AC	High voltage strength:	Up,eff = 2,5 kV
Nominal inductance:	3 x 11 mH	Operating temperature:	-40 ... +70 °C
Nominal current:	16 A	Storage temperature:	-40 ... +85 °C
Leakage inductances:	ca. 9 μH	Design standard:	
No. of turns:	N1 = N2 = N3 = 10	Wire diameter:	1,8 mm
Comments:			

3. Inspection values			
	Measured value	Measuring limits	Measuring configurations
	Inductivity L 1; L2; L3 [mH]	7 - 14,8	f=10 kHz Ieff=2 mA
	Inductivity L 1; L2; L3 [mH]	1,6 - 3,7	f=100 kHz Ieff=2 mA
	Wire resistance Rcu 1; Rcu2; Rcu3 [mOhms]	0 - 6	T = 23±3 °C
	HV strength between N 1; N2; N3 / Iiso<1mA	OK - NOK	Up,eff = 2,5 kV t=2 s
		-	

4. Others	
	Marking: MAGNETEC MB -617-01 YM (YM = Year/Month), acc. to IEC 60062 6.1.1 Packaging: 12 pcs. per layer, 2 layers per carton box ; PU = 24 pcs. Comments:

Index / Rev.	Alteration	Date
01 / 01	First issue	11.03.2015

Created:	Z. Palánki	Approved (Techn):	F. Zámorszky	Approved (Quality):	J. Gulyás	Released:	T. Trupp
	11.03.2015		18.03.2015		18.03.2015		18.03.2015