

FORM F 190  
Revision: 02  
Page: 1/1

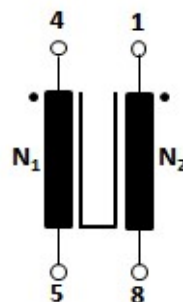
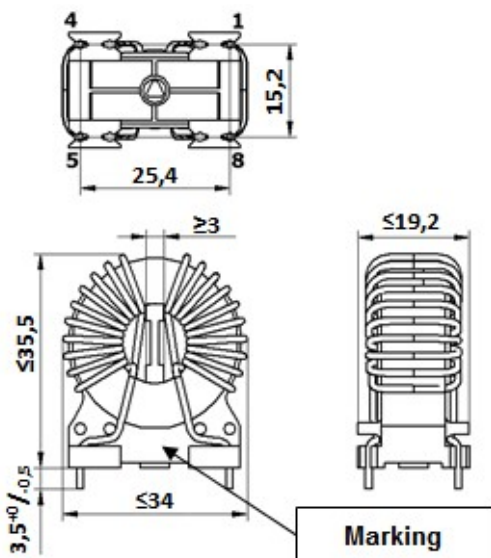
Product specification  
for Inductive Components

MAGNETEC GmbH  
Industriestrasse 7  
D-63505 Langenselbold

Client:	MAGNETEC	Magnetec P/N:	MB-622	Magnetec A/N:	12779
Client's p/n:	/	PS Index:	01	PS Revision:	01
Subject:	EMC Component				

1. Mechanical outline

Wiring diagram



2. Nominal values

Core material:	NANOPERM®	High voltage strength:	Up,eff = 2,5 kV
Nominal voltage:	250 Veff AC	Ambient temperature:	-40 ... +70 °C
Nominal inductance:	2 x 0,6 mH	Max. operating temperature:	°C
Nominal current:	10 A	Storage temperature:	-40 ... +85 °C
Leakage inductances:	ca. 3,9 µH	Design standard:	EN 60938-1
No. of turns:	N1 = N2 = 8	Wire diameter:	1 mm
Comments:			

3. Inspection values (at room temperature, unless otherwise stated)

Measured value	Measuring limits	Measuring configurations	
Inductivity L1; L2 [mH]	0,41 - 0,91	f = 10 kHz	Ueff = 0,1 V
Inductivity L1; L2 [mH]	0,26 - NA	f = 100 kHz	Ueff = 0,1 V
Wire resistance Rcu1; Rcu2 [mOhms]	0 - 8,5	T = 23±3°C	
HV strength between N1; N2 / Iiso<1mA	OK - NOK	Ueff = 2,5 kV	t = 2 s
	-		

4. Others

Marking:	MAGNETEC MB-622-01 YM (YM = Year/Month), acc. to IEC 60062 6.1.1
Packaging:	30 pcs. per layer, 4 layers per carton box; PU = 120 pcs.
Comments:	Visit <a href="http://www.magnetec.de/fileadmin/pdf/pb_ds.pdf">http://www.magnetec.de/fileadmin/pdf/pb_ds.pdf</a> for further information.

Index / Rev.	Alteration	Date
01 / 01	First issue	03.06.2016

Created:	Z. Palánki 03.06.2016	Approved (Techn):	F. Záborszky 09.08.2016	Approved (Quality):	L. Ferencz 09.08.2016	Released:	T. Trupp 09.08.2016
----------	--------------------------	-------------------	----------------------------	---------------------	--------------------------	-----------	------------------------

Disclosing the specification to third parties or using its content without written permission from MAGNETEC is strictly forbidden and every offender is liable to pay the corresponding damages