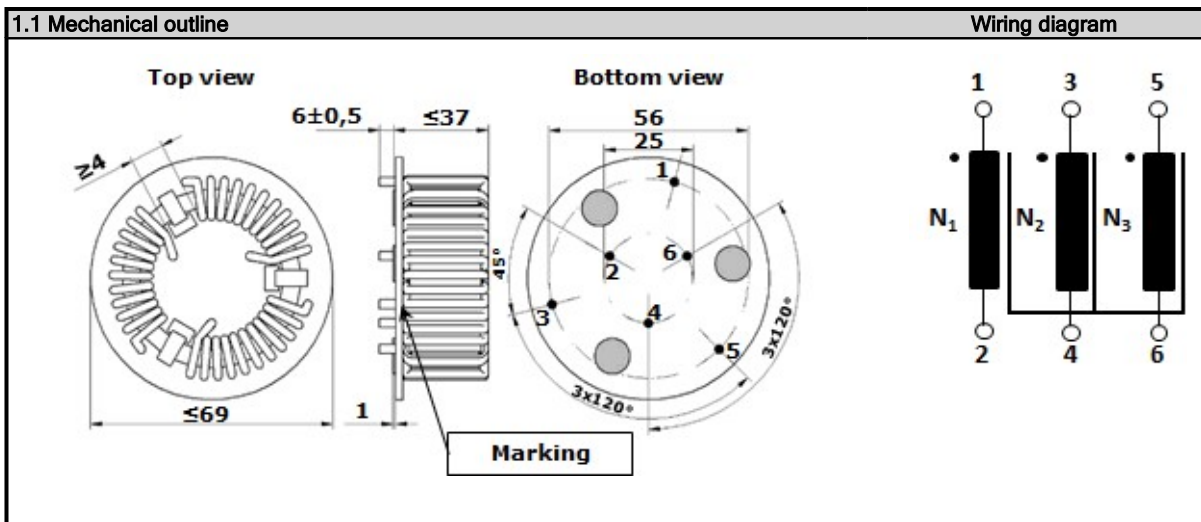


FORM Identifier: F 190 Revision: 02 Page: 1/1	Product specification for Inductive Components	MAGNETEC GmbH Industriestrasse 7 D-63505 Langenselbold
--------------------------------------------------------	-----------------------------------------------------------	---------------------------------------------------------------------

Client:	MAGNETEC	Magnetec P/N:	MB-653	Magnetec A/N:	12806
Client's p/n:	/	PS Index:	01	PS Revision:	01
Subject:	EMC Component			Type:	



2. Nominal values			
Core material:	NANOPERM®	Wire Resistance:	$\leq 4,8$ mOhms
Nominal voltage:	440 Veff AC	High voltage strength:	Up,eff = 2,5 kV
Nominal inductance:	3 x 4 mH	Operating temperature:	-40 ... +70 °C
Nominal current:	22 A	Storage temperature::	-40 ... +85 °C
Leakage inductances:	ca. 19 μH	Design standard:	EN 60938-1
No. of turns:	N1 = N2 = N3 = 14	Wire diameter:	2,24 mm
Comments:			

3. Inspection values			
	Measured value	Measuring limits	Measuring configurations
	Inductivity L1; L2; L3 [mH]	2,5 - 5,5	f = 10 kHz Ueff = 0,1 V
	Inductivity L1; L2; L3 [mH]	1,65 - NA	f = 100 kHz Ueff = 0,1 V
	Wire resistance Rcu1; Rcu2; Rcu3 [mOhms]	0 - 4,8	T = 23 \pm 3°C
	HV strength between N1; N2; N3 / Iiso<1mA	OK - NOK	Ueff = 2,5 kV t = 2 s
		-	

4. Others		
	Marking:	MAGNETEC MB-653-01 YM (YM = Year/Month), acc. to IEC 60062 6.1.1
	Packaging:	6 pcs. per layer, 3 layers per carton box; PU = 18 pcs.
	Comments:	

Index / Rev.	Alteration	Date
01 / 01	First issue	13.07.2016

Created:	M. Pádár	Approved (Techn):	F. Zámbořszky	Approved (Quality):	L. Ferencz	Released:	P. Seiz
	13.07.2016		12.09.2016		12.09.2016		16.09.2016