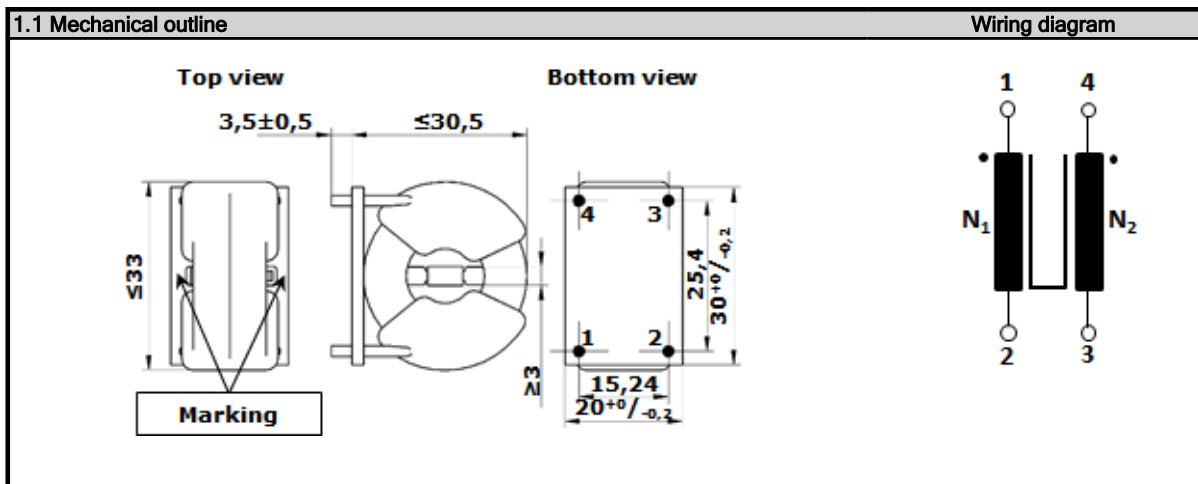


FORM Identifier: F 190 Revision: 02 Page: 1/1	Product specification for Inductive Components	MAGNETEC GmbH Industriestrasse 7 D-63505 Langenselbold
---	---	---

Client:	MAGNETEC	Magnetec P/N:	MB-684	Magnetec A/N:	12826
Client's p/n:	/	PS Index:	01	PS Revision:	01
Subject:	EMC Component			Type:	



2. Nominal values			
Core material:	NANOPERM®	Wire Resistance:	<= 2,5 mOhms
Nominal voltage:	250 Veff AC	High voltage strength:	Up,eff = 2,5 kV
Nominal inductance:	2 x 3 mH	Operating temperature:	-40 ... +70 °C
Nominal current:	20 A	Storage temperature::	-40 ... +85 °C
Leakage inductances:	~2,5 µH	Design standard:	EN 60938-1
No. of turns:	N1 = N2 = 7	Wire diameter:	1,8 mm
Comments:			

3. Inspection values			
	Measured value	Measuring limits	Measuring configurations
	Inductivity L 1; L2 [mH]	1,96 - 4,36	f = 10 kHz Ueff = 0,1 V
	Inductivity L 1; L2 [mH]	0,63 - NA	f = 100 kHz Ueff = 0,1 V
	Wire resistance Rcu 1; Rcu2 [mOhms]	0 - 2,5	T = 23±3 °C
	HV strength between N 1; N2	OK - NOK	Ueff = 2,5 kV t = 2 s
		-	

4. Others	
	Marking: MAGNETEC MB-684-01 YM (YM = Year/Month), acc. to IEC 60062 6.1.1 Packaging: 30 pcs. per layer, 4 layers per carton box ; PU = 120 pcs. Comments:

Index / Rev.	Alteration	Date
01 / 01	First issue	14.02.2017

Created:	Z. Palánki	Approved (Techn):	F. Záborszky	Approved (Quality):	G. Zsák	Released:	T. Trupp
	14.02.2017		13.04.2017		20.04.2017		20.04.2017