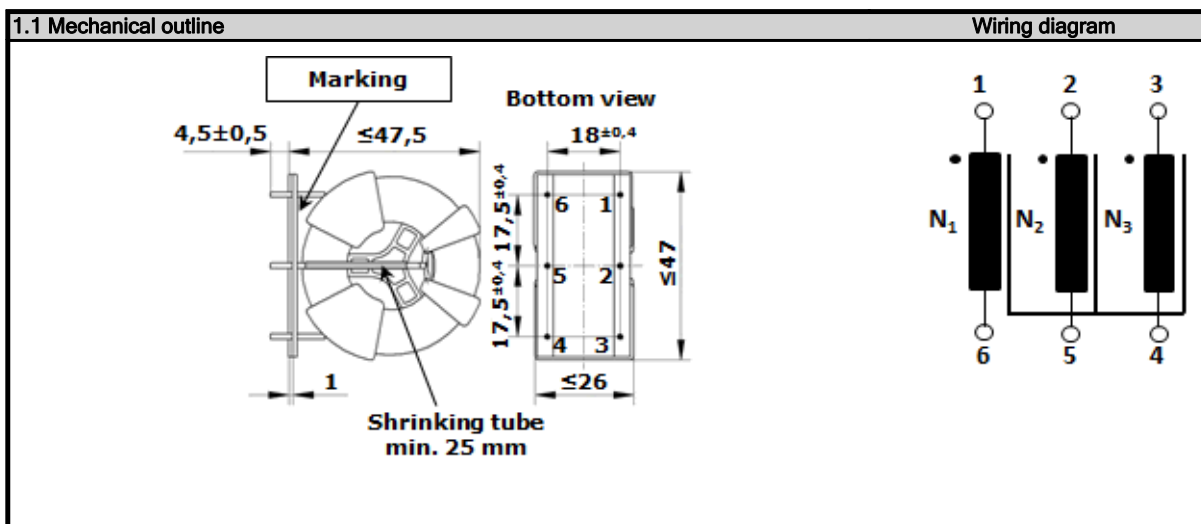


FORM Identifier: F 190 Revision: 02 Page: 1/1	Product specification for Inductive Components	MAGNETEC GmbH Industriestrasse 7 D-63505 Langenselbold
--	---	---

Client:	MAGNETEC	Magnetec P/N:	MB-687	Magnetec A/N:	12794
Client's p/n:	/	PS Index:	01	PS Revision:	01
Subject:	EMC Component			Type:	



2. Nominal values			
Core material:	NANOPERM®	Wire Resistance:	≤ 9 mOhms
Nominal voltage:	480 V_{eff} AC	High voltage strength:	U_{p,eff} = 2,5 kV
Nominal inductance:	3 x 2,5 mH	Operating temperature:	-40 ... +70 °C
Nominal current:	12 A	Storage temperature:	-40 ... +85 °C
Leakage inductances:	ca. 7,1 μH	Design standard:	EN 60938-1
No. of turns:	N1 = N2 = N3 = 9	Wire diameter:	1,25 mm
Comments:			

3. Inspection values			
	Measured value	Measuring limits	Measuring configurations
	Inductivity L 1; L2; L3 [mH]	1,62 - 3,62	f = 10 kHz U _{eff} = 0,1 V
	Inductivity L 1; L2; L3 [mH]	1,08 - NA	f = 100 kHz U _{eff} = 0,1 V
	Wire resistance R _{cu} 1; R _{cu} 2; R _{cu} 3 [mOhms]	0 - 9	T = 23±3°C
	HV strength between N 1; N2; N3 / liso < 1mA	OK - NOK	U _{eff} = 2,5 kV t = 2 s
		-	

4. Others	
Marking:	MAGNETEC MB-687-01 YM (YM = Year/Month), acc. to IEC 60062 6.1.1
Packaging:	12 pcs. per layer, 4 layers per carton box; PU = 48 pcs.
Comments:	

Index / Rev.	Alteration	Date
01 / 01	First issue	30.06.2016

Created:	M. Pádár	Approved (Techn):	F. Záborszky	Approved (Quality):	L. Ferencz	Released:	P. Seiz
	30.06.2016		12.09.2016		12.09.2016		16.09.2016

