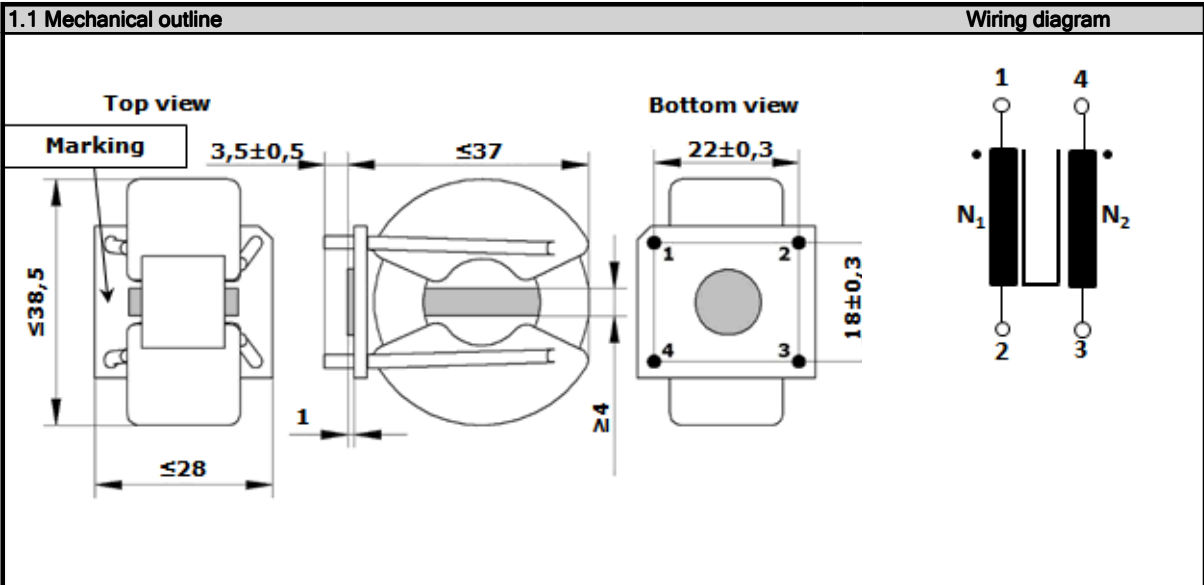


FORM Identifier: F 190 Revision: 02 Page: 1/1	Product specification for Inductive Components	MAGNETEC GmbH Industriestrasse 7 D-63505 Langenselbold
---	--	---

Client:	Magnetec	Magnetec P/N:	MB-722	Magnetec A/N:	84032
Client's p/n:	/	PS Index:	01S	PS Revision:	01
Subject:	EMC Component			Type:	

Preliminary datasheet : This document is strictly confidential ! It is subject to change without prior notice !



2. Nominal values				
Core material:	NANOPERPLUS	Wire Resistance:	$\leq 2,8$ mOhms	
Nominal voltage:	250 Veff AC	High voltage strength:	Up,eff = 2,5 kV	
Nominal inductance:	2 x 2,5 mH	Operating temperature:	-40 ... +70 °C	
Nominal current:	22 A	Storage temperature:	-40 ... +85 °C	
Leakage inductances:	ca. 4 μH	Design standard:	EN 60938-1	
No. of turns:	N1 = N2 = 8	Wire diameter:	1,8 mm	
Comments:				

3. Inspection values				
	Measured value	Measuring limits	Measuring configurations	
	Inductivity L 1; L2 [mH]	1,65 - 3,67	f = 10 kHz	Ieff = 2 mA
	Inductivity L 1; L2 [mH]	0,53 - NA	f = 100 kHz	Ieff = 2 mA
	Wire resistance Rcu 1; Rcu2 [mOhms]	0 - 2,8	T = 23\pm3°C	
	HV strength between N 1; N2	OK - NOK	Vpeak = 2,5 kV	t = 2 s
		-		

4. Others		
	Marking:	MAGNETEC MB -722-01 YM SAMPLE (YM = Year/Month), acc. to IEC 60062 6.1.1
	Packaging:	pcs. per layer, layers per carton box ; PU = pcs.
	Comments:	

Index / Rev.	Alteration	Date
01S / 01	Sample	31.03.2015

Created:	Z. Palánki	Approved (Techn):		Approved (Quality):		Released:	
	31.03.2015						