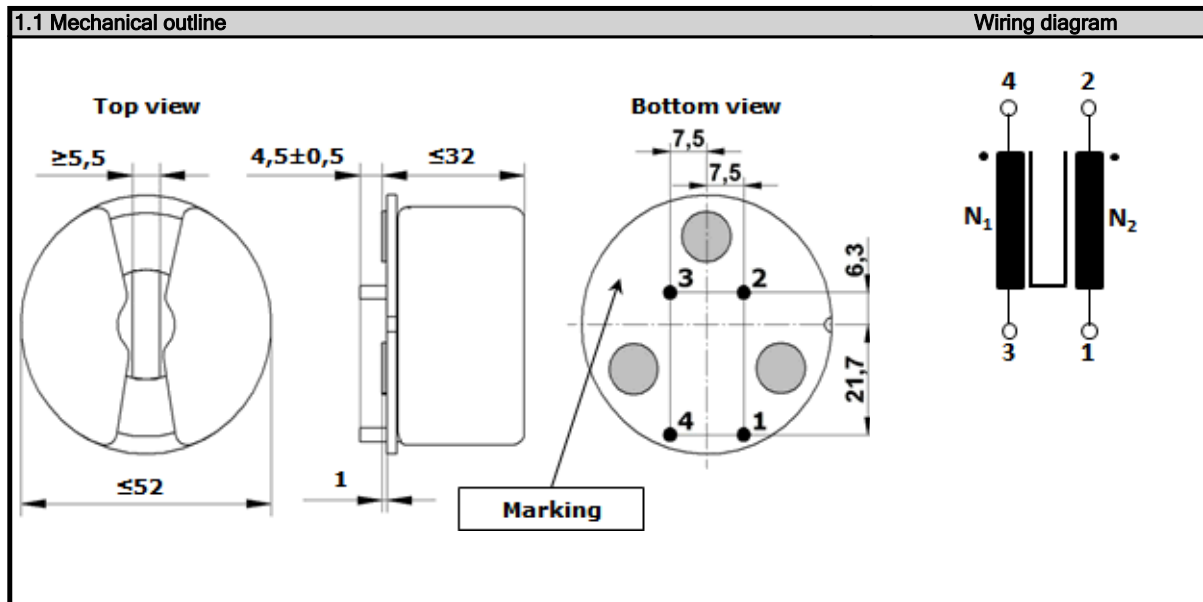


FORM Identifier: F 190 Revision: 02 Page: 1/1	Product specification for Inductive Components	MAGNETEC GmbH Industriestrasse 7 D-63505 Langenselbold
---	---	---

Client:	MAGNETEC	Magnetec P/N:	MB-740	Magnetec A/N:	12777
Client's p/n:	/	PS Index:	03	PS Revision:	01
Subject:	EMC Component			Type:	



2. Nominal values			
Core material:	NANOPERM®	Wire Resistance:	<= 1,4 mOhms
Nominal voltage:	600 Veff AC	High voltage strength:	Up,eff = 2,5 kV
Nominal inductance:	2 x 3,6 mH	Operating temperature:	-40 ... +70 °C
Nominal current:	40 A	Storage temperature:	-40 ... +85 °C
Leakage inductances:	ca. 3,2 µH	Design standard:	
No. of turns:	N1 = N2 = 6	Wire diameter:	2,65 mm
Comments:			

3. Inspection values			
	Measured value	Measuring limits	Measuring configurations
Inductivity L1; L2 [mH]		2,3 - 5,2	f = 10 kHz Ueff = 0,1 V
Inductivity L1; L2 [mH]		0,57 - NA	f = 100 kHz Ueff = 0,1 V
Wire resistance Rcu1; Rcu2 [mOhms]		0 - 1,4	T = 23±3°C
HV strength between N1; N2 / liso < 1mA		OK - NOK	Ueff = 2,5 kV t = 2 s
		-	

4. Others	
Marking:	MAGNETEC MB-740-03 YM (YM = Year/Month), acc. to IEC 60062 6.1.1
Packaging:	12 pcs. per layer, 3 layers per carton box; PU = 36 pcs.
Comments:	

Index / Rev.	Alteration	Date
03 / 01	First issue	29.03.2016

Created:	Z. Palánki	Approved (Techn):	F. Zámbořszky	Approved (Quality):	L. Ferencz	Released:	T. Trupp
	29.03.2016		13.05.2016		13.05.2016		13.05.2016

