

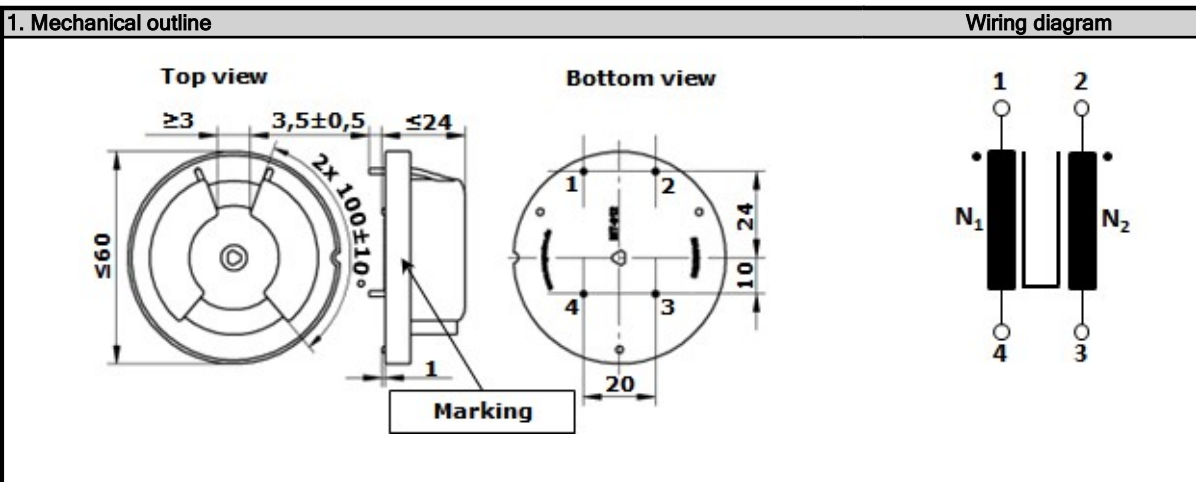
FORM F 190
Revision: 02
Page: 1/1

Product specification
for Inductive Components

MAGNETEC GmbH
Industriestrasse 7
D-63505 Langenselbold

Client:	Magnetec	Magnetec P/N:	MB-921	Magnetec A/N:	84311
Client's p/n:	/	PS Index:	01S	PS Revision:	01
Subject:	EMC Component				

Preliminary datasheet: This document is strictly confidential! It is subject to change without prior notice!



2. Nominal values			
Core material:	NANOPERM®	High voltage strength:	$U_{p,eff} = 2,5 \text{ kV}$
Nominal voltage:	250 V _{eff} AC	Ambient temperature:	-40 ... +70 °C
Nominal inductance:	2 x 2 mH	Max. operating temperature:	°C
Nominal current:	20 A	Storage temperature:	-40 ... +85 °C
Leakage inductances:	~10 µH	Design standard:	EN 60938-1
No. of turns:	N1 = N2 = 11	Wire diameter:	1,6 mm
Comments:			

3. Inspection values (at room temperature, unless otherwise stated)			
Measured value	Measuring limits	Measuring configurations	
Inductivity L1; L2 [mH]	1,20 - 2,68	f = 10 kHz	U _{eff} = 0,1 V
Inductivity L1; L2 [mH]	0,80 - NA	f = 100 kHz	U _{eff} = 0,1 V
Wire resistance R _{cu1} ; R _{cu2} [mOhms]	0 - 5,5	T = 23±3°C	
HV strength between N1 and N2	OK - NOK	U _{eff} = 2,5 kV	t = 2 s
	-		

4. Others	
Marking:	MAGNETEC MB-921-01 YM SAMPLE (YM = Year/Month), acc. to IEC 60062 6.1.1
Packaging:	pcs. per layer, layers per carton box; PU = pcs.
Comments:	Visit http://www.magnetec.de/fileadmin/pdf/pb_ds.pdf for further information.

Index / Rev.	Alteration	Date
01S / 01	Sample	17.03.2016

Created:	Z. Palánki 17.03.2016	Approved (Techn):	Approved (Quality):	Released:
----------	--------------------------	-------------------	---------------------	-----------

Disclosing the specification to third parties or using its content without written permission from MAGNETEC is strictly forbidden and every offender is liable to pay the corresponding damages