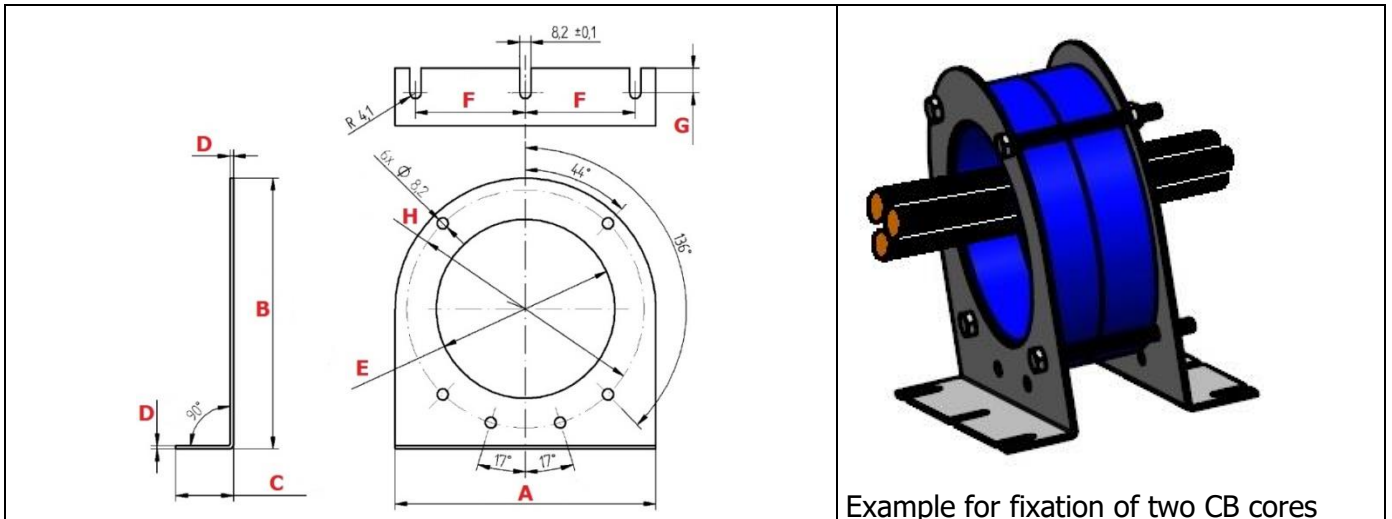


### MAGNETEC MS metal holder kits for easy fixation of up to 6 toroidal NANOPERM® COOL BLUE® cores



Toroidal types	Suitable for Cool BLUE core	A [mm]	B [mm]	C [mm]	D [mm]	E [mm]	F [mm]	G [mm]	H [mm]
<a href="#">MS-112</a>	<a href="#">M-112</a>	88	98	25	1,5	49	30	11,5	74
<a href="#">MS-113</a>	<a href="#">M-113</a>	106	111	25	1,5	63	40	11,5	91
<a href="#">MS-114</a>	<a href="#">M-114</a>	130	137	29	2,5	82	50	11,5	113
<a href="#">MS-115</a>	<a href="#">M-115</a>	160	167	36	2,5	101	65	21,5	143
<a href="#">MS-116</a>	<a href="#">M-116</a>	190	197	42	2,5	130	80	18	173
<a href="#">MS-117</a>	<a href="#">M-117</a>	233	240	51	2,5	173	101,5	22,5	216

Only for information, not guaranteed values.

**COOL BLUE®** tape wound cores made from the nanocrystalline material **NANOPERM®** are being used increasingly to reduce damaging motor bearing currents in modern high power inverter systems operating at high switching frequencies.

Usually 2-6 stacked cores are required for proper suppression. **MAGNETEC** offers special metal holder kits which fix the stacked **COOL BLUE®** cores together and which are easily to be mounted inside the cabinet. Depending on the amount of stacked cores different suitable drop rods / screws are available for fixation. Up to 6 cores can be fixed easily.

Order information example (kit includes 2 holders and 4 drop rods/screws):

MS-114-0Y (Y = 1: fixation of 1-2 M-114 cores, Y = 2: 3-4 cores, Y = 3: 5-6 cores)

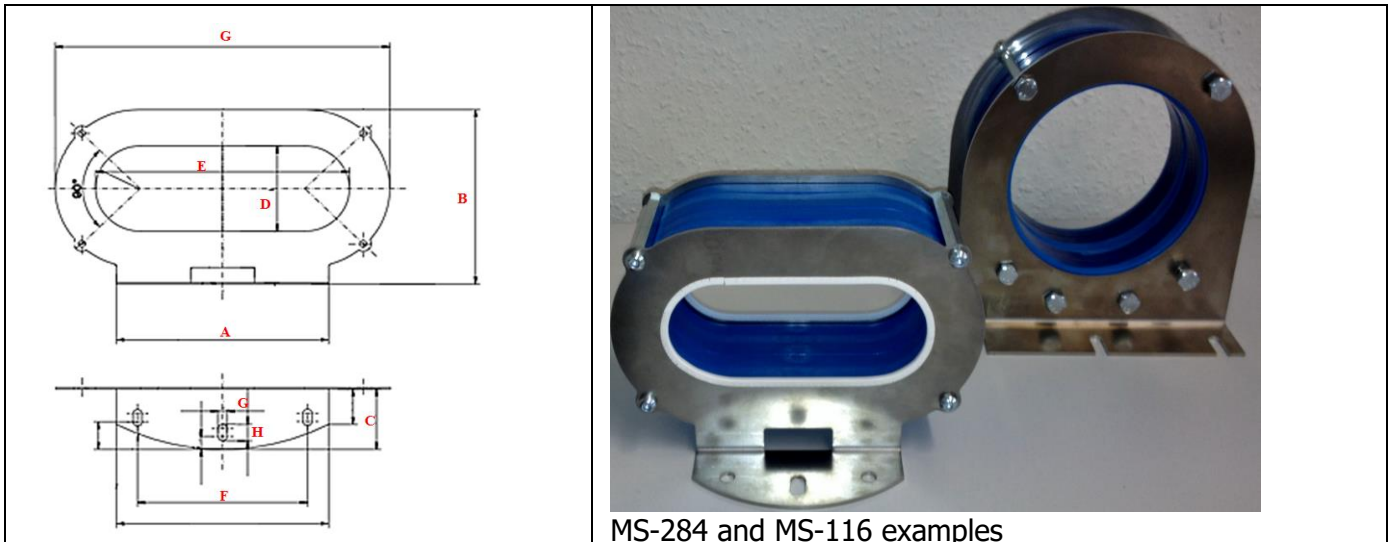
#### MAGNETEC GmbH

Industriestrasse 7, D-63505 Langenselbold, Germany

Fon: +49 6184 9202-0 / Fax: +49 6184 9202-20

E-Mail: [magnetec@magnetec.de](mailto:magnetec@magnetec.de)

### MAGNETEC MS metal holder kits for easy fixation of up to 6 stadium shaped **NANOPERM® COOL BLUE®** cores



Oval types	Suitable for Cool BLUE core	A [mm]	B [mm]	C [mm]	D [mm]	E [mm]	F [mm]	G [mm]	H [mm]
<a href="#">MS-283</a>	<a href="#">M-283</a>	89	82,5	38	20	59	61	6,5	13,5
<a href="#">MS-284</a>	<a href="#">M-284</a>	69	87,5	36	20	64	61	6,5	13,5
<a href="#">MS-302</a>	<a href="#">M-302</a>	120	137,5	48	59	147	80	8,5	16,5
<a href="#">MS-111</a>	<a href="#">M-111</a>	200	173,5	60	85	239	160	8,5	16,5
<a href="#">MS-248</a>	<a href="#">M-248</a>	200	187	60	84	316	160	8,5	16,5

Only for information, not guaranteed values.

**COOL BLUE®** tape wound cores made from the nanocrystalline material **NANOPERM®** are being used increasingly to reduce damaging motor bearing currents in modern high power inverter systems operating at high switching frequencies.

Usually 2-6 stacked cores are required for proper suppression. **MAGNETEC** offers special metal holder kits which fix the stacked **COOL BLUE®** cores together and which are easily to be mounted inside the cabinet. Depending on the amount of stacked cores different suitable drop rods / screws are available for fixation. Up to 6 cores can be fixed easily.

Order information example (kit includes 2 holders and 4 drop rods/screws):

MS-283-0Y (Y = 1: fixation of 1-2 M-283 cores, Y = 2: 3-4 cores, Y = 3: 5-6 cores)

#### MAGNETEC GmbH

Industriestrasse 7, D-63505 Langenselbold, Germany

Fon: +49 6184 9202-0 / Fax: +49 6184 9202-20

E-Mail: [magnetec@magnetec.de](mailto:magnetec@magnetec.de)