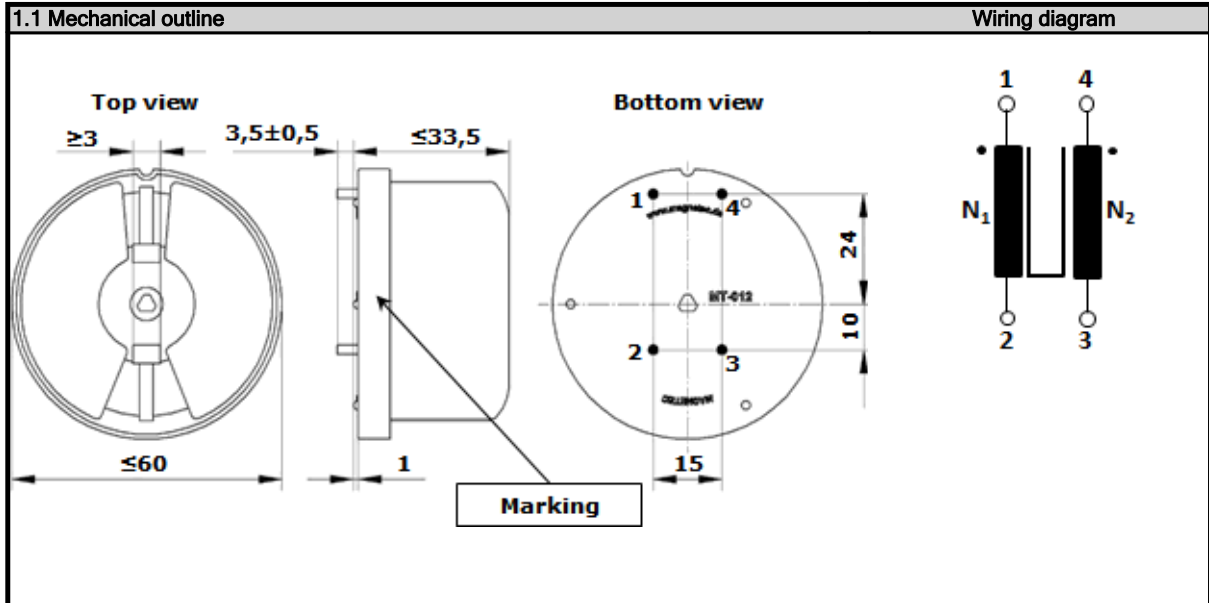


FORM Identifier: F 190 Revision: 02 Page: 1/1	Product specification for Inductive Components	MAGNETEC GmbH Industriestrasse 7 D-63505 Langenselbold
--	---	--

Client: MAGNETEC	Magnetec P/N: MB-620	Magnetec A/N: 12781
Client's p/n: /	PS Index: 01	PS Revision: 01
Subject: EMC Component	Type:	



2. Nominal values			
Core material:	NANOPERM®	Wire Resistance:	≤ 7,5 mOhms
Nominal voltage:	250 Veff AC	High voltage strength:	Up,eff = 2,5 kV
Nominal inductance:	2 x 35 mH	Operating temperature:	-40 ... +70 °C
Nominal current:	19 A	Storage temperature:	-40 ... +85 °C
Leakage inductances:	~ 25 µH	Design standard:	EN 60938-1
No. of turns:	N1 = N2 = 18	Wire diameter:	2 mm
Comments:			

3. Inspection values			
	Measured value	Measuring limits	Measuring configurations
Inductivity L1; L2 [mH]		22,3 - 49,6	f = 10 kHz Ueff = 0,1 V
Inductivity L1; L2 [mH]		7,1 - NA	f = 100 kHz Ueff = 0,1 V
Wire resistance Rcu1; Rcu2 [mOhms]		0 - 7,5	T = 23±3°C
HV strength between N1; N2 / liso < 1mA		OK - NOK	Ueff = 2,5 kV t = 2 s
		-	

4. Others	
Marking:	MAGNETEC MB-620-01 YM (YM = Year/Month), acc. to IEC 60062 6.1.1
Packaging:	12 pcs. per layer, 2 layers per carton box; PU = 24 pcs.
Comments:	

Index / Rev.	Alteration	Date
01 / 01	First issue	07.06.2016

Created:	M. Pádár	Approved (Techn):	Z. Palánki	Approved (Quality):	L. Ferencz	Released:	T. Trupp
	07.06.2016		09.08.2016		09.08.2016		09.08.2016