

FORM F 108
Revision: 04
Page: 1/1

Product specification
for inductive components

MAGNETEC GmbH
Industriestrasse 7
D-63505 Langenselbold

Client:	MAGNETEC	Magnetec P/N:	M-021	Magnetec A/N:	12624
Client's P/N:	/	PS Index:	01	PS Revision:	02
Subject:	EMC Wandler				

1. Mechanical Outline

Nominal equivalent round core:

25 x 16 x 10

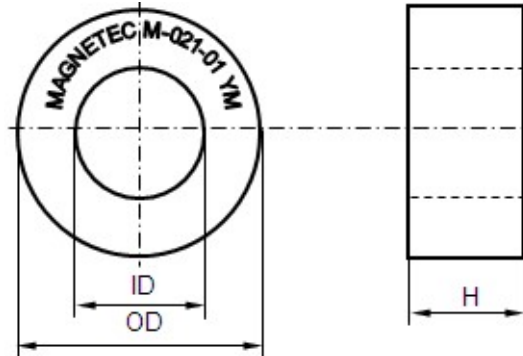
Finished product dimensions:

OD \leq 28,0

ID \geq 13,2

H \leq 12,5

[dimensions] = mm



2. Core data (nominal values)

Core material:	NANOPERM®	$L_{Fe} = 6,24 \text{ cm}$	$A_{Fe} = 0,33 \text{ cm}^2$
Permeability level:	ca. 75.000	@ frequency 10 kHz	@ H peak 2,3 mA/cm

3. Inspection values (at room temperature, unless otherwise stated)

Measured value	Measurement limits	Frequency	$I_{eff} \times N$ [mA x turn]
AL [μ H]	40,0 - 60,0	10 kHz	10,0

4. Core finishing

Type:	Cased
Marking:	MAGNETEC M-021-01 YM (YM = Year/Month), acc. to IEC 62 5.1
Packaging:	63 pcs. per layer; 6 layers per carton box; PU = 378 pcs.

5. Comments

Visit http://www.magnetec.de/fileadmin/pdf/pb_ds.pdf for further information.

Index / Revision	Alteration	Date
01 / 01	Product Specification	16.07.2012
01 / 02	Subject change to EMC Wandler	13.09.2013

Created:	Z. Palánki 13.09.2013	Approved (Techn):	F. Záborszky 23.09.2013	Approved (Quality):	J. Gulyás 11.10.2013	Released:	F. Rauscher 11.10.2013
----------	--------------------------	-------------------	----------------------------	---------------------	-------------------------	-----------	---------------------------

Disclosing the specification to third parties or using its content without written permission from MAGNETEC is strictly forbidden and every offender is liable to pay the corresponding damages