

FORM F 108  
Revision: 04  
Page: 1/1

**Product specification  
for inductive components**

**MAGNETEC GmbH**  
Industriestrasse 7  
D-63505 Langenselbold

<b>Client:</b>	<b>MAGNETEC</b>	<b>Magnetec P/N:</b>	<b>M-1057</b>	<b>Magnetec A/N:</b>	<b>12798</b>
<b>Client's P/N:</b>	/	<b>PS Index:</b>	<b>01</b>	<b>PS Revision:</b>	<b>01</b>
<b>Subject:</b>	<b>EMC Wandler</b>				

**1. Mechanical Outline**

Nominal equivalent round core:

**200 x 175 x 30**

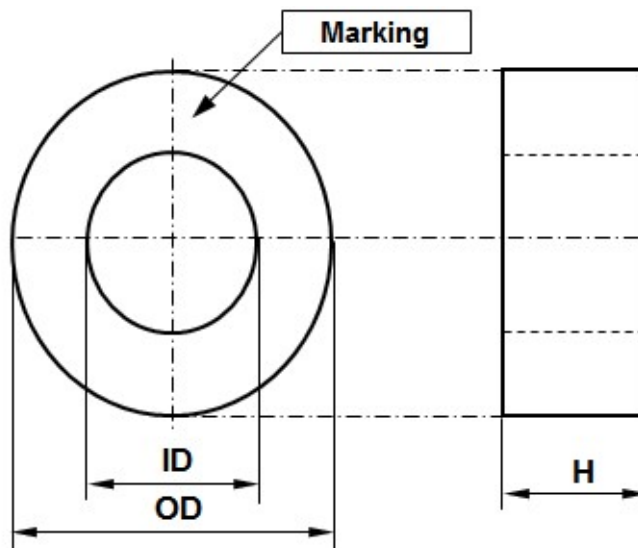
Finished product dimensions:

OD  $\leq$  208

ID  $\geq$  166

H  $\leq$  37

[dimensions] = mm



**2. Core data (nominal values)**

Core material:	<b>NANOPERM®</b>	$L_{Fe} = 58,82 \text{ cm}$	$A_{Fe} = 2,74 \text{ cm}^2$
Permeability level:	<b>12 000</b>	@ frequency <b>10 kHz</b>	@ H peak <b>3 mA/cm</b>

**3. Inspection values (at room temperature, unless otherwise stated)**

Measured value	Measurement limits	Frequency	leff x N [mA x turn]
<b>AL [<math>\mu</math>H]</b>	<b>4,9 - 9,8</b>	<b>10 kHz</b>	<b>124</b>
<b>AL [<math>\mu</math>H]</b>	<b>3,7 - NA</b>	<b>100 kHz</b>	<b>124</b>

**4. Core finishing**

Type:	<b>Cased</b>
Marking:	<b>MAGNETEC M-1057-01 YM (YM = Year/Month), acc. to IEC 60062 6.1.1</b>
Packaging:	<b>1 pcs. per layer; 2 layers per carton box; PU = 2 pcs.</b>

**5. Comments**

Visit [http://www.magnetec.de/fileadmin/pdf/pb\\_ds.pdf](http://www.magnetec.de/fileadmin/pdf/pb_ds.pdf) for further information.

Index / Revision	Alteration	Date
01 / 01	First issue	09.06.2016

<b>Created:</b>	Zs. Sándor 09.06.2016	<b>Approved (Techn):</b>	F. Záborszky 02.08.2016	<b>Approved (Quality):</b>	L. Ferencz 02.08.2016	<b>Released:</b>	T. Trupp 02.08.2016
-----------------	--------------------------	--------------------------	----------------------------	----------------------------	--------------------------	------------------	------------------------

Disclosing the specification to third parties or using its content without written permission from MAGNETEC is strictly forbidden and every offender is liable to pay the corresponding damages