

FORM F 108  
Revision: 05  
Page: 1/1

Product specification  
for inductive components

MAGNETEC GmbH  
Industriestrasse 7  
D-63505 Langenselbold

Client:	MAGNETEC GmbH	Magnetec P/N:	M-114	Magnetec A/N:	12204
Client's P/N:	/	PS Index:	03	PS Revision:	05
Subject:	WANDLER				

1. Mechanical Outline

Nominal equivalent round core:

100 x 80 x 30

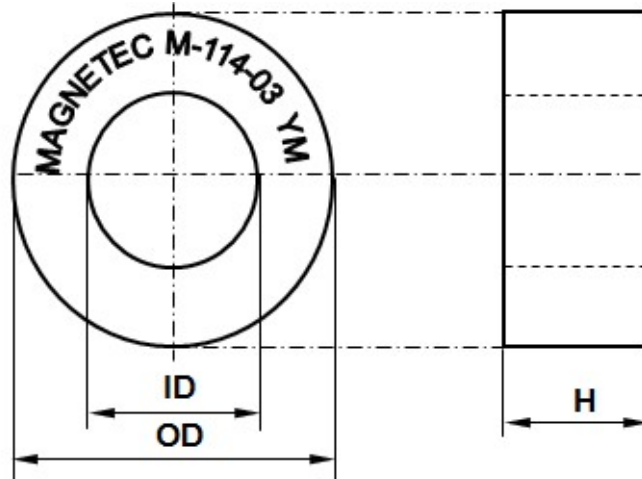
Finished product dimensions:

OD  $\leq$  105,0

ID  $\geq$  75,0

H  $\leq$  35,0

[dimensions] = mm



2. Core data (nominal values)

Core material:	NANOPERM®	$L_{Fe} = 28,16$ cm	$A_{Fe} = 2,25$ cm <sup>2</sup>
Permeability level:	30 000	@ frequency 10 kHz	@ H peak 3,0 mA/cm

3. Inspection values (at room temperature, unless otherwise stated)

Measured value	Measurement limits	Frequency	leff x N [mA x turn]
AL [ $\mu$ H]	22,5 - 45,0	10 kHz	60
AL [ $\mu$ H]	13.44 - NA	100 kHz	60

4. Core finishing

Type:	Cased
Marking:	MAGNETEC M-114-03 YM (YM = Year/Month), acc. to IEC 60062 6.1.1
Packaging:	4 pcs. per layer; 2 layers per carton box; PU = 8 pcs.

5. Comments

Visit [http://www.magnetec.de/fileadmin/pdf/pb\\_ds.pdf](http://www.magnetec.de/fileadmin/pdf/pb_ds.pdf) for further information.

Index / Revision	Alteration	Date
01S / 00	Sample	02.08.2001
03 / 01	Product Specification	05.04.2005
03 / 02	New format	29.05.2006
03 / 03	100kHz lower limit defined	10.05.2014
03 / 04	100 kHz lower limit increased	17.10.2018
03 / 05	Change the packaging unit	28.10.2020

Created:	Z. Braxátor 28.10.2020	Approved (Techn):	F. Záborszky 24.11.2020	Approved (Quality):	Sz. Ilcsik 12.11.2020	Released:	B. Kessler 24.11.2020
----------	---------------------------	-------------------	----------------------------	---------------------	--------------------------	-----------	--------------------------

Disclosing the specification to third parties or using its content without written permission from MAGNETEC is strictly forbidden and every offender is liable to pay the corresponding damages