

FORM F 108
Revision: 04
Page: 1/1

Product specification
for inductive components

MAGNETEC GmbH
Industriestrasse 7
D-63505 Langenselbold

| | | | | | |
|---------------|-------------|---------------|-------|---------------|-------|
| Client: | MAGNETEC | Magnetec P/N: | M-243 | Magnetec A/N: | 12216 |
| Client's P/N: | / | PS Index: | 02 | PS Revision: | 02 |
| Subject: | EMC Wandler | | | | |

1. Mechanical Outline

Nominal equivalent round core:

25 x 20 x 10

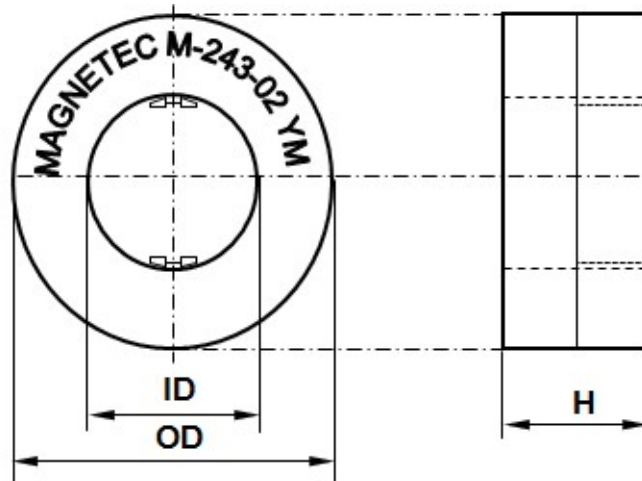
Finished product dimensions:

OD \leq 27,8

ID \geq 17,6

H \leq 12,5

[dimensions] = mm



2. Core data (nominal values)

| | | | |
|---------------------|-----------|---------------------------|------------------------------|
| Core material: | NANOPERM® | $L_{Fe} = 7,1 \text{ cm}$ | $A_{Fe} = 0,20 \text{ cm}^2$ |
| Permeability level: | ~40 000 | @ frequency 10 kHz | @ H peak 2,0 mA/cm |

3. Inspection values (at room temperature, unless otherwise stated)

| Measured value | Measurement limits | Frequency | leff x N [mA x turn] |
|----------------|--------------------|-----------|----------------------|
| AL [μ H] | 9,6 - 16,5 | 10 kHz | 10 |
| AL [μ H] | 4,3 - 7,4 | 100 kHz | 10 |

4. Core finishing

| | |
|------------|---|
| Type: | Cased |
| Marking: | MAGNETEC M-243-02 YM (YM = Year/Month), acc. to IEC 60062 6.1.1 |
| Packaging: | 63 pcs. per layer; 6 layers per carton box; PU = 378 pcs. |

5. Comments

Visit http://www.magnetec.de/fileadmin/pdf/pb_ds.pdf for further information.

| Index / Revision | Alteration | Date |
|------------------|--|------------|
| 01 / 00 | Production Specification | 16.10.2004 |
| 01 / 01 | LN form / AL 4,3 - 8,0 μ H @ 100 kHz | 10.10.2008 |
| 01 / 02 | Finished product dimension corrected, permeability level at 10 kHz, AL limits defined at 10kHz, 100kHz upper limit decreased | 19.01.2015 |

| | | | | | | | |
|----------|--------------------------|-------------------|----------------------------|---------------------|-------------------------|-----------|------------------------|
| Created: | Z. Palánki 19.01.2015 | Approved (Techn): | F. Záborszky 28.01.2015 | Approved (Quality): | J. Gulyás 28.01.2015 | Released: | T. Trupp 28.01.2015 |
|----------|--------------------------|-------------------|----------------------------|---------------------|-------------------------|-----------|------------------------|

Disclosing the specification to third parties or using its content without written permission from MAGNETEC is strictly forbidden and every offender is liable to pay the corresponding damages