

FORM F 108
Revision: 03
Page: 1/1

Product specification
for inductive components

MAGNETEC GmbH
Industriestrasse 7
D-63505 Langenselbold

Client:	MAGNETEC GmbH	Magnetec P/N:	M-444	Magnetec A/N:	12356
Client's P/N:		PS Index:	01	PS Revision:	01
Subject:	EMC Wandler				

1. Mechanical Outline

Nominal equivalent round core:

25 x 16 x 10

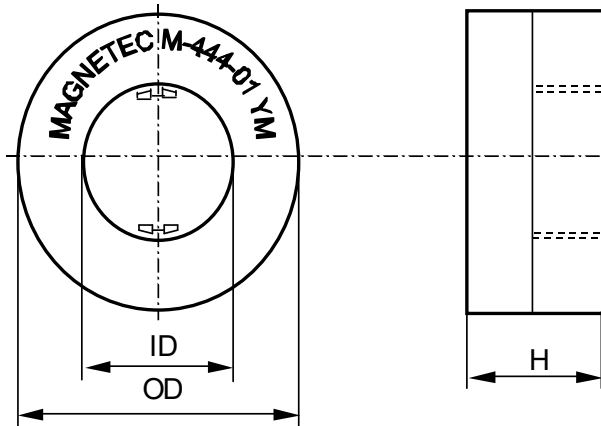
Finished product dimensions:

OD \leq 28,0

ID \geq 13,2

H \leq 12,4

[dimensions] = mm



2. Core data (nominal values)

Core material:	NANOPERM®	$L_{Fe} = 6,34$ cm	$A_{Fe} = 0,33$ cm ²
Permeability level:	ca. 30 000	@ frequency 10 kHz	@ H peak 3,3 mA/cm

3. Inspection values (at room temperature, unless otherwise stated)

Measured value	Measurement limits	Frequency	leff x N [mA x turn]
AL [μ H]	13,7 - 27,4	10 kHz	15

4. Core finishing

Type:	Cased / Without foam ring
Marking:	MAGNETEC M-444-01 YM
Packaging:	63 pcs. per layer; 6 layers per carton box; PU = 378 pcs.

5. Comments

Visit http://www.magnetec.de/fileadmin/pdf/pb_ds.pdf for further information.

Index / Revision	Alteration	Date
01 / 01	Product Specification	20.03.2007

Created:	Á. Kovách 20.03.2007	Approved (Techn):	F. Záborszky 21.03.2007	Approved (Quality):	V. Káposztás 21.03.2007	Released:	F. Rauscher 21.03.2007
----------	-------------------------	----------------------	----------------------------	------------------------	----------------------------	-----------	---------------------------

Disclosing the specification to third parties or using its content without written permission from MAGNETEC is strictly forbidden and every offender is liable to pay the corresponding damages