

FORM F 108
Revision: 04
Page: 1/1

Product specification
for inductive components

MAGNETEC GmbH
Industriestrasse 7
D-63505 Langenselbold

| | | | | | |
|---------------|-------------|---------------|-------|---------------|-------|
| Client: | MAGNETEC | Magnetec P/N: | M-839 | Magnetec A/N: | 53141 |
| Client's P/N: | / | PS Index: | 01 | PS Revision: | 02 |
| Subject: | EMC Wandler | | | | |

1. Mechanical Outline

Nominal equivalent round core:

30 x 20 x 10

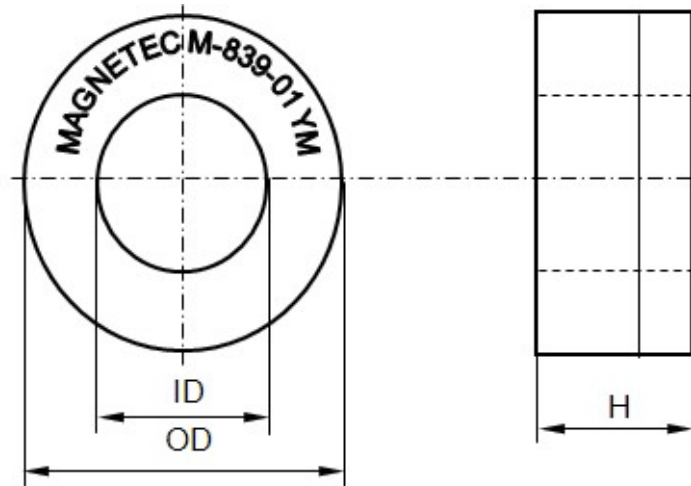
Finished product dimensions:

OD \leq 32,9

ID \geq 17,6

H \leq 12,7

[dimensions] = mm



2. Core data (nominal values)

| | | | |
|---------------------|-----------|----------------------------|-------------------------------|
| Core material: | NANOPERM® | $L_{Fe} = 7,75 \text{ cm}$ | $A_{Fe} = 0,375 \text{ cm}^2$ |
| Permeability level: | 8.000 | @ frequency 10 kHz | @ H peak 3 mA/cm |

3. Inspection values (at room temperature, unless otherwise stated)

| Measured value | Measurement limits | Frequency | leff x N [mA x turn] |
|----------------|--------------------|-----------|----------------------|
| AL [μ H] | 2,60 - 6,0 | 100 kHz | 16,5 |

4. Core finishing

| | |
|------------|--|
| Type: | Cased |
| Marking: | MAGNETEC M-839-01 YM (YM = Year/Month), acc. to IEC 62 5.1 |
| Packaging: | 35 pcs. per layer; 6 layers per carton box; PU = 210 pcs. |

5. Comments

Visit http://www.magnetec.de/fileadmin/pdf/pb_ds.pdf for further information.

| Index / Revision | Alteration | Date |
|------------------|--|------------|
| 01/01 | Product Specification | 07.06.2012 |
| 01/02 | 10kHz removed, 100kHz a little bigger acc.MB-398 | 03.07.2012 |

| | | | | | | | |
|----------|----------------------------|-------------------|----------------------------|---------------------|-------------------------|-----------|---------------------------|
| Created: | Zs. Eperjesi 03.07.2012 | Approved (Techn): | F. Záborszky 2012.07.03 | Approved (Quality): | J. Gulyás 2012.07.03 | Released: | F. Rauscher 2012.07.03 |
|----------|----------------------------|-------------------|----------------------------|---------------------|-------------------------|-----------|---------------------------|

Disclosing the specification to third parties or using its content without written permission from MAGNETEC is strictly forbidden and every offender is liable to pay the corresponding damages