

FORM F 108  
Revision: 04  
Page: 1/1

**Product specification  
for inductive components**

**MAGNETEC GmbH**  
Industriestrasse 7  
D-63505 Langenselbold

<b>Client:</b>	<b>MAGNETEC</b>	<b>Magnetec P/N:</b>	<b>M-885</b>	<b>Magnetec A/N:</b>	<b>53132</b>
<b>Client's P/N:</b>	/	<b>PS Index:</b>	<b>02</b>	<b>PS Revision:</b>	<b>02</b>
<b>Subject:</b>	<b>EMC Wandler</b>				

**1. Mechanical Outline**

Nominal equivalent round core:

**25 x 20 x 10**

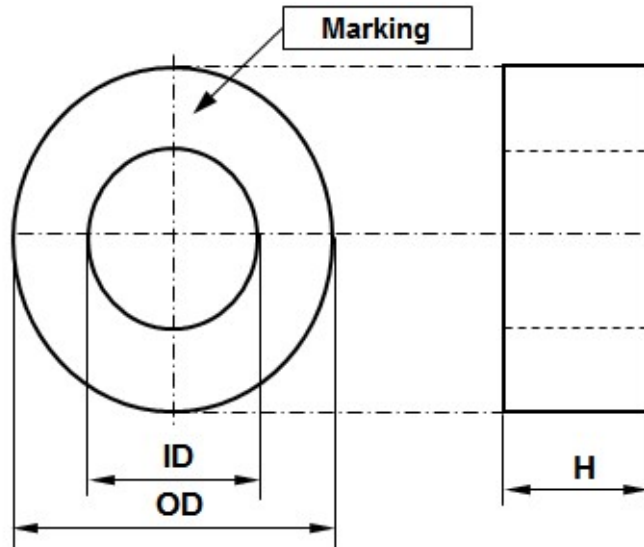
Finished product dimensions:

OD  $\leq$  27,8

ID  $\geq$  17,0

H  $\leq$  12,6

[dimensions] = mm



**2. Core data (nominal values)**

Core material:	<b>NANOPERM®</b>	$L_{Fe} = 7,1 \text{ cm}$	$A_{Fe} = 0,20 \text{ cm}^2$
Permeability level:	<b>90.000</b>	@ frequency 10 kHz	@ H peak 3 mA/cm

**3. Inspection values (at room temperature, unless otherwise stated)**

Measured value	Measurement limits	Frequency	leff x N [mA x turn]
AL1 [ $\mu$ H]	22,5 - 41,3	10 kHz	15
AL2 [ $\mu$ H]	6,9 - NA	100 kHz	15

**4. Core finishing**

Type:	<b>Cased</b>
Marking:	<b>MAGNETEC M-885-02 YM (YM = Year/Month), acc. to IEC 60062 6.1.1</b>
Packaging:	<b>pcs. per layer; layers per carton box; PU = pcs.</b>

**5. Comments**

Visit [http://www.magnetec.de/fileadmin/pdf/pb\\_ds.pdf](http://www.magnetec.de/fileadmin/pdf/pb_ds.pdf) for further information.

Index / Revision	Alteration	Date
01 / 01	Production Specification; Improved 100 kHz performance	25.02.2011
02 / 02	Case change	29.08.2016

<b>Created:</b>	Z. Palánki 29.08.2016	<b>Approved (Techn):</b>	F. Záborszky 02.09.2016	<b>Approved (Quality):</b>	L. Ferencz 02.09.2016	<b>Released:</b>	P. Seiz 09.09.2016
-----------------	--------------------------	--------------------------	----------------------------	----------------------------	--------------------------	------------------	-----------------------

Disclosing the specification to third parties or using its content without written permission from MAGNETEC is strictly forbidden and every offender is liable to pay the corresponding damages