

FORM F 108
Revision: 04
Page: 1/1

Product specification
for inductive components

MAGNETEC GmbH
Industriestrasse 7
D-63505 Langenselbold

Client:	MAGNETEC	Magnetec P/N:	M-926	Magnetec A/N:	12724
Client's P/N:	/	PS Index:	01	PS Revision:	01
Subject:	EMC Wandler				

1. Mechanical Outline

Nominal equivalent round core:

30 x 20 x 10

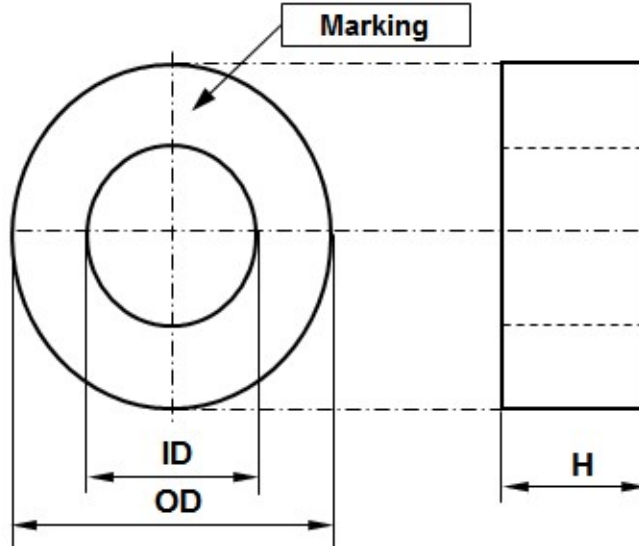
Finished product dimensions:

OD \leq 33,1

ID \geq 17,7

H \leq 12,7

[dimensions] = mm



2. Core data (nominal values)

Core material:	NANOPERM®	$L_{Fe} = 7,76 \text{ cm}$	$A_{Fe} = 0,37 \text{ cm}^2$
Permeability level:	90.000	@ frequency 10 kHz	@ H peak 3 mA/cm

3. Inspection values (at room temperature, unless otherwise stated)

Measured value	Measurement limits	Frequency	leff x N [mA x turn]
AL [μ H]	37,6 - 75,2	10 kHz	16,4
AL [μ H]	12,2 - NA	100 kHz	16,4

4. Core finishing

Type:	Cased
Marking:	MAGNETEC M-926-01 YM (YM = Year/Month), acc. to IEC 60062 6.1.1
Packaging:	35 pcs. per layer; 6 layers per carton box; PU = 210 pcs.

5. Comments

Visit http://www.magnetec.de/fileadmin/pdf/pb_ds.pdf for further information.

Index / Revision	Alteration	Date
01 / 01	First issue	21.04.2015

Created:	Z. Palánki 21.04.2015	Approved (Techn):	F. Záborszky 07.05.2015	Approved (Quality):	J. Gulyás 07.05.2015	Released:	T. Trupp 07.05.2015
----------	--------------------------	-------------------	----------------------------	---------------------	-------------------------	-----------	------------------------

Disclosing the specification to third parties or using its content without written permission from MAGNETEC is strictly forbidden and every offender is liable to pay the corresponding damages