

FORM F 108
Revision: 04
Page: 1/1

Product specification
for inductive components

MAGNETEC GmbH
Industriestrasse 7
D-63505 Langenselbold

Client:	MAGNETEC	Magnetec P/N:	M-983	Magnetec A/N:	12710
Client's P/N:	/	PS Index:	01	PS Revision:	01
Subject:	EMC Wandler				

1. Mechanical Outline

Nominal equivalent round core:

80 x 63 x 30

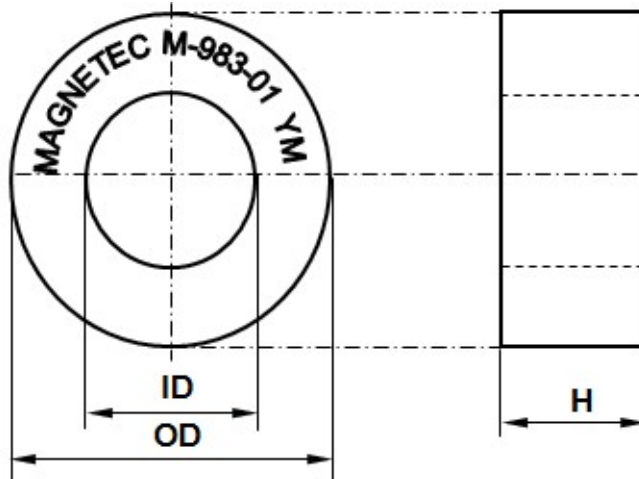
Finished product dimensions:

OD ≤ 84,7

ID ≥ 57,0

H ≤ 35,4

[dimensions] = mm



2. Core data (nominal values)

Core material:	NANOPERM®	$L_{Fe} = 22,21 \text{ cm}$	$A_{Fe} = 1,90 \text{ cm}^2$
Permeability level:	3 660	@ frequency 10 kHz	@ H peak 3 mA/cm

3. Inspection values (at room temperature, unless otherwise stated)

Measured value	Measurement limits	Frequency	$I_{eff} \times N$ [mA x turn]
AL [μH]	3,34 - 4,79	10 and 100 kHz	47

4. Core finishing

Type:	Cased
Marking:	MAGNETEC M-983-01 YM (YM = Year/Month), acc. to IEC 60062 6.1.1
Packaging:	6 pcs. per layer; 2 layers per carton box; PU = 12 pcs.

5. Comments

Visit http://www.magnetec.de/fileadmin/pdf/pb_ds.pdf for further information.

Index / Revision	Alteration	Date
01 / 01	Product Specification	19.12.2014

Created:	Z. Palánki 19.12.2014	Approved (Techn):	F. Záborszky 19.12.2014	Approved (Quality):	J. Gulyás 19.12.2014	Released:	T. Trupp 19.12.2014
----------	--------------------------	-------------------	----------------------------	---------------------	-------------------------	-----------	------------------------

Disclosing the specification to third parties or using its content without written permission from MAGNETEC is strictly forbidden and every offender is liable to pay the corresponding damages