

FORM F 108  
Revision: 05  
Page: 1/1

Product specification  
for inductive components

MAGNETEC GmbH  
Industriestrasse 7  
D-63505 Langenselbold

Client:	MAGNETEC	Magnetec P/N:	M-063	Magnetec A/N:	12330
Client's P/N:	/	PS Index:	03	PS Revision:	03
Subject:	EMC Wandler				

1. Mechanical Outline

Nominal equivalent round core:

14,5 x 8,5 x 6

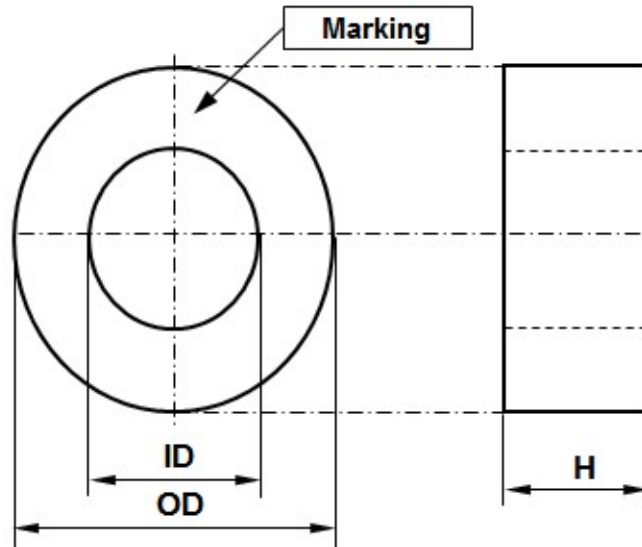
Finished product dimensions:

OD ≤ 15,1

ID ≥ 7,5

H ≤ 7,0

[dimensions] = mm



2. Core data (nominal values)

Core material:	NANOPERM®	$L_{Fe} = 3,53 \text{ cm}$	$A_{Fe} = 0,135 \text{ cm}^2$
Permeability level:	100 000	@ frequency 10 kHz	@ H peak 4 mA/cm

3. Inspection values (at room temperature, unless otherwise stated)

Measured value	Measurement limits	Frequency	leff x N [mA x turn]
AL [μH]	35 - 70	10 kHz	10
AL [μH]	7,4 - NA	100 kHz	10

4. Core finishing

Type:	Epoxy coated
Marking:	MAGNETEC M-063-03 YM (YM = Year/Month), acc. to IEC 60062 6.1.1
Packaging:	110 pcs. per layer; 10 layers per carton box; PU = 1100 pcs.

5. Comments

Visit [http://www.magnetec.de/fileadmin/pdf/pb\\_ds.pdf](http://www.magnetec.de/fileadmin/pdf/pb_ds.pdf) for further information.

Index / Revision	Alteration	Date
02 / 01	Product Specification	25.04.2005
02 / 02	LN format	22.02.2013
03 / 03	End product size change, nominal permeability given, 10kHz upper and 100kHz lower limit defined	25.06.2015

Created:	Z. Palánki 25.06.2013	Approved (Techn):	F. Záborszky 06.07.2015	Approved (Quality):	J. Gulyás 06.07.2015	Released:	T. Trupp 06.07.2015
----------	--------------------------	-------------------	----------------------------	---------------------	-------------------------	-----------	------------------------

Disclosing the specification to third parties or using its content without written permission from MAGNETEC is strictly forbidden and every offender is liable to pay the corresponding damages