

FORM F 108  
Revision: 05  
Page: 1/1

Product specification  
for inductive components

MAGNETEC GmbH  
Industriestrasse 7  
D-63505 Langenselbold

Client:	MAGNETEC	Magnetec P/N:	M-148	Magnetec A/N:	12804
Client's P/N:	/	PS Index:	01	PS Revision:	01
Subject:	EMC Wandler				

1. Mechanical Outline

Nominal equivalent round core:

90 x 60 x 20

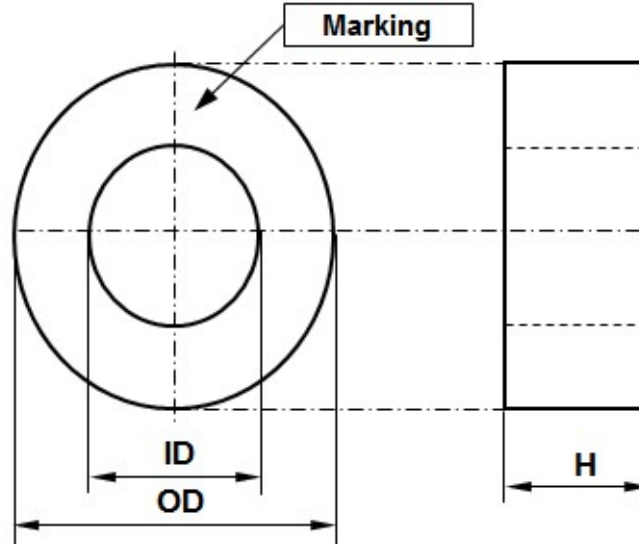
Finished product dimensions:

OD  $\leq$  94

ID  $\geq$  56

H  $\leq$  24

[dimensions] = mm



2. Core data (nominal values)

Core material:	NANOPERM®	$L_{Fe} = 23,3 \text{ cm}$	$A_{Fe} = 2,19 \text{ cm}^2$
Permeability level:	70 000	@ frequency 10 kHz	@ H peak 3 mA/cm

3. Inspection values (at room temperature, unless otherwise stated)

Measured value	Measurement limits	Frequency	leff x N [mA x turn]
AL [ $\mu$ H]	58 - 116	10 kHz	49
AL [ $\mu$ H]	17,7 - NA	100 kHz	49

4. Core finishing

Type:	Epoxy coated
Marking:	MAGNETEC M-148-01 YM (YM = Year/Month), acc. to IEC 60062 6.1.1
Packaging:	5 pcs. per layer; 3 layers per carton box; PU = 15 pcs.

5. Comments

Visit [http://www.magnetec.de/fileadmin/pdf/pb\\_ds.pdf](http://www.magnetec.de/fileadmin/pdf/pb_ds.pdf) for further information.

Index / Revision	Alteration	Date
01 / 01	First issue	18.07.2016

Created:	Z. Palánki 18.07.2016	Approved (Techn):	F. Záborszky 22.07.2016	Approved (Quality):	L. Ferencz 22.07.2016	Released:	T. Trupp 02.08.2016
----------	--------------------------	-------------------	----------------------------	---------------------	--------------------------	-----------	------------------------

Disclosing the specification to third parties or using its content without written permission from MAGNETEC is strictly forbidden and every offender is liable to pay the corresponding damages