

FORM F 108
Revision: 05
Page: 1/1

**Product specification
for inductive components**

MAGNETEC GmbH
Industriestrasse 7
D-63505 Langenselbold

Client:	MAGNETEC	Magnetec P/N:	M-370	Magnetec A/N:	12341
Client's P/N:	/	PS Index:	01	PS Revision:	02
Subject:	EMC Wandler				

1. Mechanical Outline

Nominal equivalent round core:

26 x 16 x 12

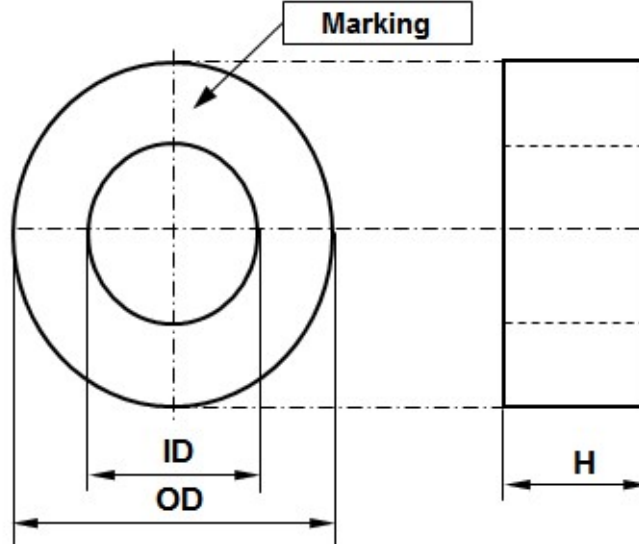
Finished product dimensions:

OD \leq 27,5

ID \geq 14,5

H \leq 14,0

[dimensions] = mm



2. Core data (nominal values)

Core material:	NANOPERM®	$L_{Fe} = 6,47 \text{ cm}$	$A_{Fe} = 0,48 \text{ cm}^2$
Permeability level:	20 000	@ frequency 100 kHz	@ H peak 3,28 mA/cm

3. Inspection values (at room temperature, unless otherwise stated)

Measured value	Measurement limits	Frequency	leff x N [mA x turn]
AL [μH]	16 - 22	100 kHz	15
AL [μH]	58 - 88	10 kHz	15

4. Core finishing

Type:	Epoxy coated
Marking:	MAGNETEC M-370-01 YM (YM = Year/Month), acc. to IEC 60062 6.1.1
Packaging:	- pcs. per layer; - layers per carton box; PU = - pcs.

5. Comments

This core can be used only for chokes. Visit http://www.magnetec.de/fileadmin/pdf/pb_ds.pdf for further information.

Index / Revision	Alteration	Date
01 / 00	Product specification	24.10.2005
01 / 01	New form	27.04.2006
01 / 02	Introducing 10kHz limits, end product size change	07.07.2015

Created:	Z. Palánki 07.07.2015	Approved (Techn):	F. Záborszky 07.07.2015	Approved (Quality):	J. Gulyás 07.07.2015	Released:	T. Trupp 07.07.2015
-----------------	--------------------------	--------------------------	----------------------------	----------------------------	-------------------------	------------------	------------------------

Disclosing the specification to third parties or using its content without written permission from MAGNETEC is strictly forbidden and every offender is liable to pay the corresponding damages