

FORM F 108
Revision: 05
Page: 1/1

Product specification
for inductive components

MAGNETEC GmbH
Industriestrasse 7
D-63505 Langenselbold

Client:	MAGNETEC	Magnetec P/N:	M-590	Magnetec A/N:	12630
Client's P/N:	/	PS Index:	02	PS Revision:	03
Subject:	EMC Wandler				

1. Mechanical Outline

Nominal equivalent round core:

160 x 110 x 25

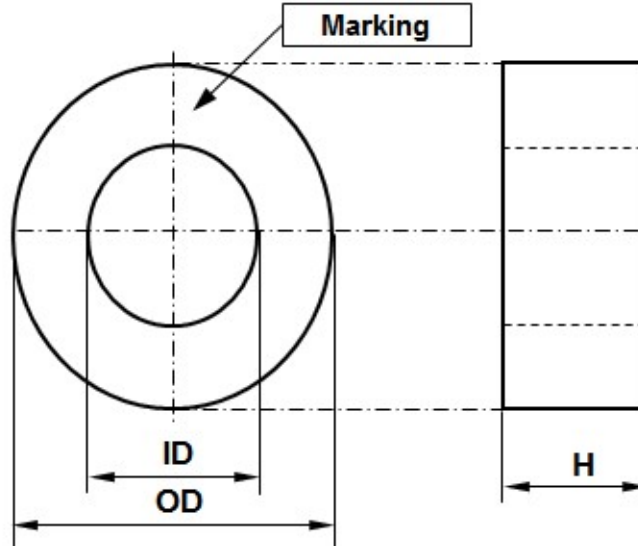
Finished product dimensions:

OD \leq 165,0

ID \geq 105,0

H \leq 28,5

[dimensions] = mm



2. Core data (nominal values)

Core material:	NANOPERM®	$L_{Fe} = 41,99$ cm	$A_{Fe} = 4,61$ cm ²
Permeability level:	~25 000	@ frequency 10 kHz	@ H peak 3,0 mA/cm

3. Inspection values (at room temperature, unless otherwise stated)

Measured value	Measurement limits	Frequency	leff x N [mA x turn]
AL [μ H]	24,0 - 50,0	10 kHz	90
AL [μ H]	17,3 - NA	100 kHz	90
PFe [W/core]	0 - 12,5	15 kHz	Bmax = 500 mT

4. Core finishing

Type:	Epoxy coated
Marking:	MAGNETEC M-590-02 YM (YM = Year/Month), acc. to IEC 60062 6.1.1
Packaging:	1 pcs. per layer; 3 layers per carton box; PU = 3 pcs.

5. Comments

Visit http://www.magnetec.de/fileadmin/pdf/pb_ds.pdf for further information.

Index / Revision	Alteration	Date
01 / 01	Product Specification	26.11.2012
01 / 02	PU = 3 pcs	28.05.2013
02 / 03	100kHz AL lower limit defined, PFe limit decreased	04.05.2015

Created:	Z. Palánki	Approved (Techn):	F. Záborszky	Approved (Quality):	J. Gulyás	Released:	T. Trupp
	04.05.2015		15.05.2015		15.05.2015		15.05.2015

Disclosing the specification to third parties or using its content without written permission from MAGNETEC is strictly forbidden and every offender is liable to pay the corresponding damages