

FORM F 108  
Revision: 05  
Page: 1/1

Product specification  
for inductive components

MAGNETEC GmbH  
Industriestrasse 7  
D-63505 Langenselbold

Client:	MAGNETEC GmbH	Magnetec P/N:	M-802	Magnetec A/N:	12684
Client's P/N:	/	PS Index:	03	PS Revision:	01
Subject:	EMC Wandler				

1. Mechanical Outline

Nominal equivalent round core:

12 x 5 x 5

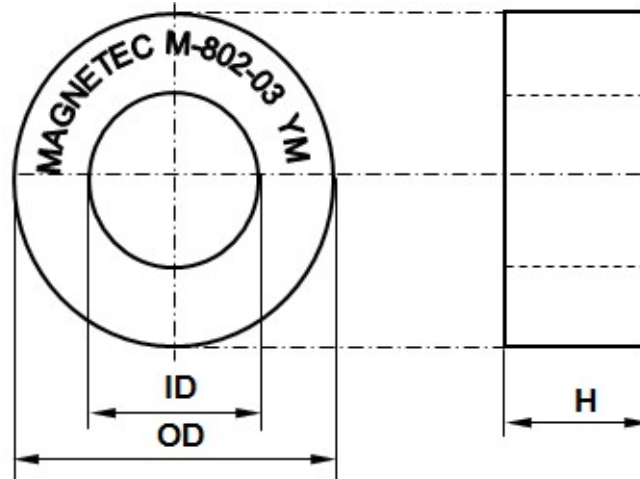
Finished product dimensions:

OD  $\leq$  13,5

ID  $\geq$  3,5

H  $\leq$  6,5

[dimensions] = mm



2. Core data (nominal values)

Core material:	NANOPERM®	$L_{Fe} = 2,55 \text{ cm}$	$A_{Fe} = 0,13 \text{ cm}^2$
Permeability level:	30 000	@ frequency 10 kHz	@ H peak 3 mA/cm

3. Inspection values (at room temperature, unless otherwise stated)

Measured value	Measurement limits	Frequency	$I_{eff} \times N$ [mA x turn]
AL [ $\mu$ H]	13,6 - 27,2	10 kHz	5,2
AL [ $\mu$ H]	8,8 - NA	100 kHz	5,2

4. Core finishing

Type:	Epoxy coated
Marking:	MAGNETEC M-802-03 YM (YM = Year/Month), acc. to IEC 60062 6.1.1
Packaging:	110 pcs. per layer; 10 layers per carton box; PU = 1100 pcs.

5. Comments

Visit [http://www.magnetec.de/fileadmin/pdf/pb\\_ds.pdf](http://www.magnetec.de/fileadmin/pdf/pb_ds.pdf) for further information.

Index / Revision	Alteration	Date
03 / 01	First issue	03.07.2014

Created:	Z. Palánki 03.07.2014	Approved (Techn):	F. Zámbořszky 08.07.2014	Approved (Quality):	J. Gulyás 08.07.2014	Released:	T. Trupp 08.07.2014
----------	--------------------------	-------------------	-----------------------------	---------------------	-------------------------	-----------	------------------------

Disclosing the specification to third parties or using its content without written permission from MAGNETEC is strictly forbidden and every offender is liable to pay the corresponding damages