

FORM F 108  
Revision: 05  
Page: 1/1

Product specification  
for inductive components

MAGNETEC GmbH  
Industriestrasse 7  
D-63505 Langenselbold

Client:	MAGNETEC	Magnetec P/N:	M-833	Magnetec A/N:	12627
Client's P/N:	/	PS Index:	02	PS Revision:	03
Subject:	EMC Wandler				

1. Mechanical Outline

Nominal equivalent round core:

25 x 16 x 10

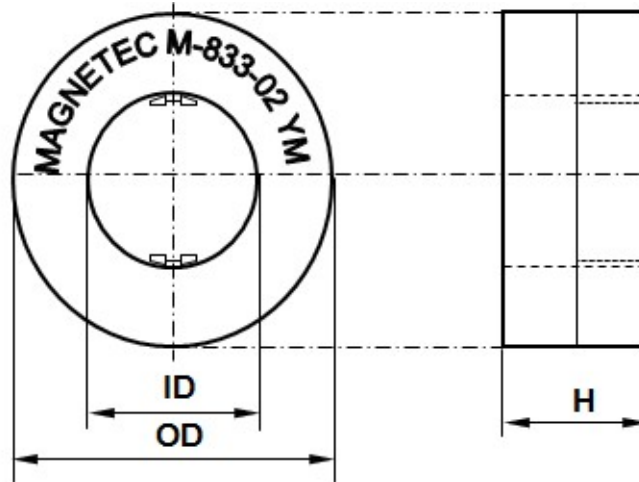
Finished product dimensions:

OD  $\leq$  28,2

ID  $\geq$  13,0

H  $\leq$  12,8

[dimensions] = mm



2. Core data (nominal values)

Core material:	NANOPERM®	$L_{Fe} = 6,34 \text{ cm}$	$A_{Fe} = 0,315 \text{ cm}^2$
Permeability level:	ca. 90 000	@ frequency 10 kHz	@ H peak 3 mA/cm

3. Inspection values (at room temperature, unless otherwise stated)

Measured value	Measurement limits	Frequency	leff x N [mA x turn]
AL [ $\mu$ H]	40 - 80	10 kHz	13,4
AL [ $\mu$ H]	10,8 - NA	100 kHz	13,4

4. Core finishing

Type:	Cased in heat resistive box (+155°C)
Marking:	MAGNETEC M-833-02 YM (YM = Year/Month), acc. to IEC 60062 6.1.1
Packaging:	63 pcs. per layer; 6 layers per carton box; PU = 378 pcs.

5. Comments

Visit [http://www.magnetec.de/fileadmin/pdf/pb\\_ds.pdf](http://www.magnetec.de/fileadmin/pdf/pb_ds.pdf) for further information.

Index / Revision	Alteration	Date
02 / 01	Product Specifikation	19.09.2012
02 / 02	Change of plastic material supplier's manufacturing facility from Belgium to a co-qualified facility in China	23.01.2015
02 / 03	Encapsulated in heat resistive case, comments removed and marking standard corrected	27.03.2015

Created:	Z. Palánki 27.03.2015	Approved (Techn):	F. Záborszky 31.03.2015	Approved (Quality):	J. Gulyás 31.03.2015	Released:	T. Trupp 31.03.2015
----------	--------------------------	-------------------	----------------------------	---------------------	-------------------------	-----------	------------------------

Disclosing the specification to third parties or using its content without written permission from MAGNETEC is strictly forbidden and every offender is liable to pay the corresponding damages